

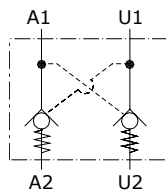
Type VRDE..A pilot operated check valves

- Double acting
- DIN 2353

Technical specifications and diagrams are measured with mineral oil ISO VG32 at 50°C (122°F) temperature.

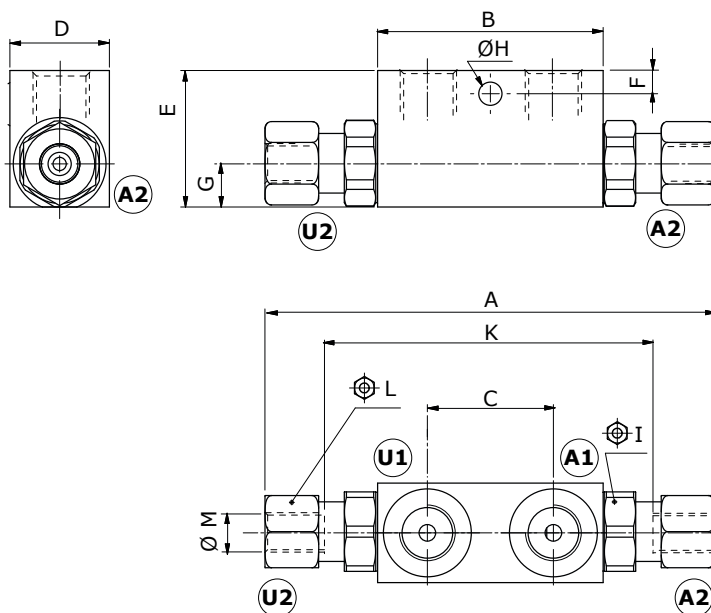
	VRDE01A	VRDE015A	VRDE02A	VRDE025A	VRDE03A	
Nominal flow	30 l/min (7.92 US gpm)	30 l/min (7.92 US gpm)	50 l/min (13.2 US gpm)	50 l/min (13.2 US gpm)	80 l/min (21.1 US gpm)	
Max. pressure	350 bar (5100 psi)	350 bar (5100 psi)	300 bar (4350 psi)	300 bar (4350 psi)	300 bar (4350 psi)	
Oil leakage	0.25 cm ³ /min (0.015 in ³ /min) at 210 bar (3050 psi)					
Fluid	mineral based oil					
Viscosity	10-200 cSt					
Max. level of contamination	18/16/13 ISO4406					
Fluid temperature	with NBR seals from -20°C (-4°F) to 80°C (176°F)					
Environmental temp. for working conditions	-40°C (-40°F) to 100°C (212°F)					
Weight	steel	0.67 kg (1.48 lb)	0.66 kg (1.45 lb)	0.97 kg (2.14 lb)	0.91 kg (2.01 lb)	1.67 kg (3.68 lb)

NOTE - For different conditions, please contact Walvoil Sales Dpt.



Dimension

Valve type	A1-U1	A2-U2 (Ø M)
VRDE01A	G1/4	12-0.47
VRDE015A	G3/8	12-0.47
VRDE02A	G3/8	15-0.59
VRDE025A	G1/2	15-0.59
VRDE03A	G1/2	18-0.71

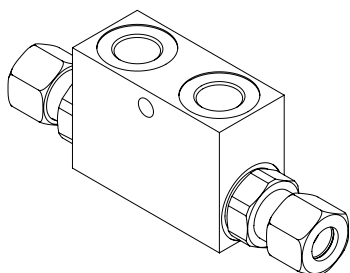


Dimensions are in mm-in

Valve type	A	B max.	C	D	E	F	G	ØH	⊕I	⊕L	K
VRDE01A	138-5.43	68-2.68	38-1.50	30-1.18	40-1.57	7-0.27	13-0.51	8-0.31	24	22	86-3.38
VRDE 015A	138-5.43	68-2.68	38-1.50	30-1.18	40-1.57	7-0.27	13-0.51	8-0.31	24	22	86-3.38
VRDE02A	166-6.53	80-3.15	40-1.57	30-1.18	50-1.97	15-0.59	16-0.63	8.5-0.33	27	27	108-4.25
VRDE025A	166-6.53	80-3.15	40-1.57	30-1.18	50-1.97	15-0.59	16-0.63	8.5-0.33	27	27	108-4.25
VRDE03A	180-7.09	90-3.54	40-1.57	40-1.57	60-2.36	15-0.59	20-0.79	8.5-0.33	30	32	133-5.24

Ordering codes and description composition

Port size
VRDE 02 A



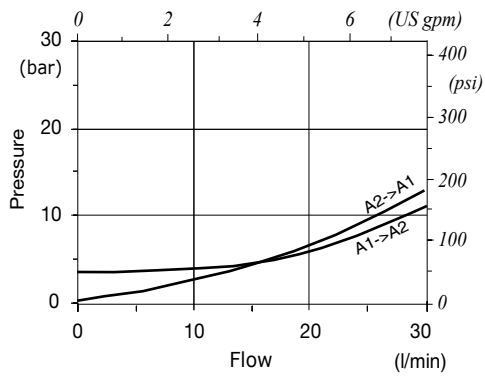
VRDE A complete valves

TYPE	CODE	DESCRIPTION
VRDE01A	1420212100	Steel body, G1/4 port, pilot ratio 1:4.5, opening pressure 4 bar (58 psi)
VRDE015A	1420222100	Steel body, G3/8 port, pilot ratio 1:4.5, opening pressure 4 bar (58 psi)
VRDE02A	1420222101	Steel body, G3/8 port, pilot ratio 1:4, opening pressure 4 bar (58 psi)
VRDE025A	1420232100	Steel body, G1/2 port, pilot ratio 1:4, opening pressure 4 bar (58 psi)
VRDE03A	1420232101	Steel body, G1/2 port, pilot ratio 1:4, opening pressure 4 bar (58 psi)

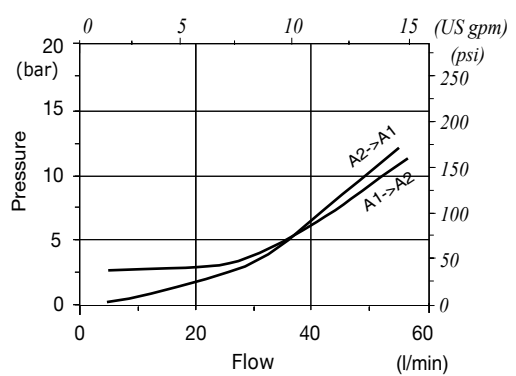
For different configurations or SAE threads please contact our Sales Dpt.

Rating diagrams

VRDE01A pressure drop vs. flow



VRDE02A pressure drop vs. flow



VRDE03A pressure drop vs. flow

