



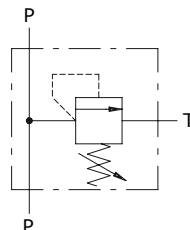
## Type VMDL..20 - VMD..35 - VMD..80 pressure relief valves

- Direct acting

Technical specifications and diagrams are measured with mineral oil of 46 cSt viscosity at 40°C (104°F) temperature.

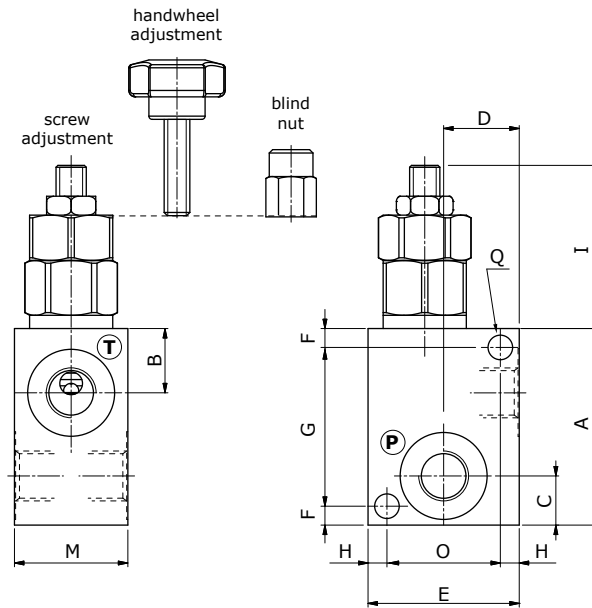
	<b>VMDL..2001</b>	<b>VMDL..2002</b>	<b>VMD..3502</b>	<b>VMD..3503</b>	<b>VMD..8003</b>	<b>VMD..8004</b>	
Nominal flow	20 l/min (5.3 US gpm)		35 l/min (9.2 US gpm)		80 l/min (21.1 US gpm)		
Max. pressure	Aluminium body = 210 bar (3050 psi) Steel body = 350 bar (5100 psi)						
Fluid	mineral based oil						
Viscosity	from 10 to 200 cSt						
Max. level of contamination	18/16/13 ISO4406						
Fluid temperature	with NBR seals from -20°C (-4°F) to 80°C (176°F)						
Environmental temp. for working conditions	from -40°C (-40°F) to 100°C (212°F)						
Weight	aluminium	0.24 kg (0.53 lb)	0.24 kg (0.53 lb)	0.40 kg (0.88 lb)	0.39 kg (0.86 lb)	0.72 kg (1.59 lb)	0.72 kg (1.59 lb)
	steel	-	-	0.85 kg (1.87 lb)	0.78 kg (1.72 lb)	1.45 kg (3.20 lb)	1.35 kg (2.98 lb)

NOTE - For different conditions, please contact Walvoil Sales Dpt.

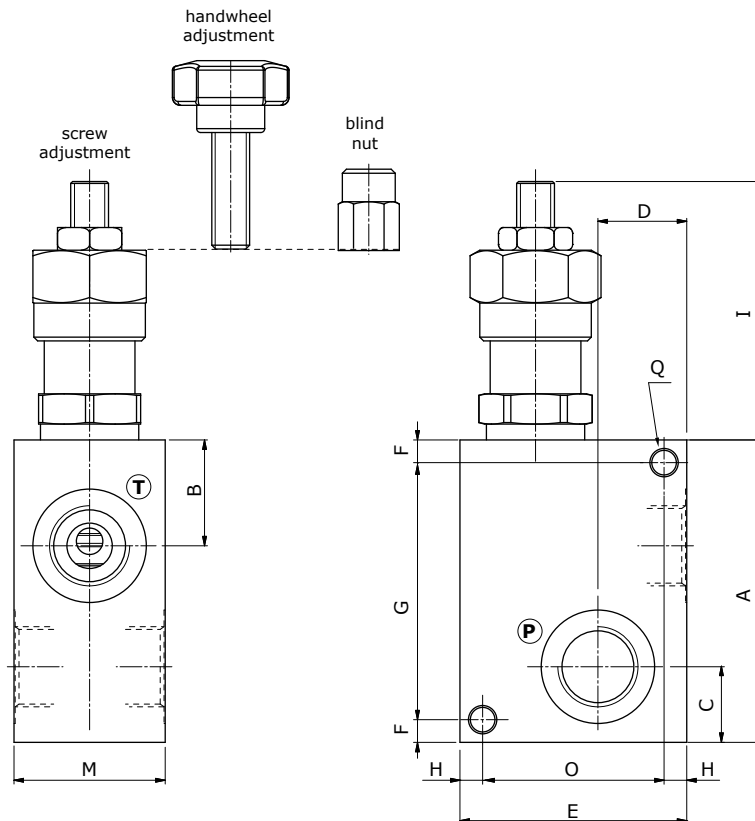


## Dimensions

### VMDL..20



### VMD..35 - VMD..80

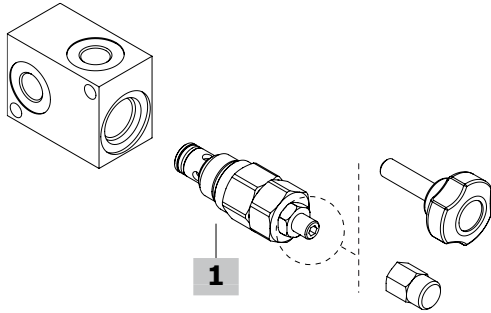
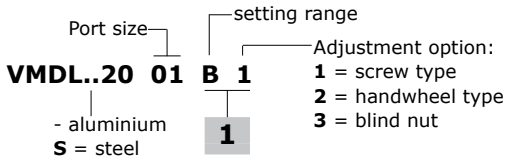


Valve type	All ports
VMDL..2001	G1/4
VMDL..2002	G3/8
VMD..3502	G3/8
VMD..3503	G1/2
VMD..8003	G1/2
VMD..8004	G3/4

Dimensions are in mm-in

Valve type	A	B	C	D	E	F	G	H	I	M	O	$\varnothing Q$
VMDL..20	45-1.77	17-0.67	13-0.51	20-0.79	40-1.57	5-0.197	42-1.65	5-0.197	44-1.73	30-1.18	30-1.18	6.5-0.256
VMD..35	65-2.56	24-0.95	17-0.67	20-0.79	50-1.97	5-0.197	53-2.09	6-0.236	64-2.52	35-1.38	34-1.34	6.5-0.256
VMD..80	80-3.15	28-1.10	20-0.79	23.5-0.93	60-2.36	6-0.236	68-2.68	6-0.236	77-3.03	40-1.57	48-1.89	6.5-0.256

**Ordering codes and description composition**



Type	Setting range bar (psi)	Std. setting bar (psi)
<b>VMDL..20</b>	<b>A</b> 5-60 (72.5-870)	40 (580)
	<b>B</b> 50-240 (725-3500)	100 (1450)
	<b>C</b> 90-350 (130-5100)	100 (1450)
	<b>D</b> 20-100 (290-1450)	100 (1450)
<b>VMD..35</b>	<b>A</b> 5-50 (72.5-725)	40 (580)
	<b>B</b> 40-210 (580-3050)	100 (1450)
	<b>C</b> 100-350 (1450-5100)	100 (1450)
<b>VMD..80</b>	<b>A</b> 5-50 (72.5-725)	40 (580)
	<b>B</b> 20-260 (290-3770)	100 (1450)
	<b>C</b> 120-350 (1750-5100)	120 (1740)

**VMD complete valves**

Standard setting 150 bar @ 5 l/min (2200 psi @ 1.32 US gpm)

TYPE	CODE	DESCRIPTION
<b>Configuration with G1/4 standard thread</b>		
<b>VMDL2001B1</b>	1110711100	Aluminium body, setting range from 50 to 240 bar (725-3500 psi)
<b>Configuration with G3/8 standard thread</b>		
<b>VMDL2002B1</b>	1110721100	Aluminium body, setting range from 50 to 240 bar (725-3500 psi)
<b>VMD3502B1</b>	1110821100	Aluminium body, setting range from 40 to 210 bar (580-3050 psi)
<b>VMDS3502B1</b>	1110822100	Steel body, setting range from 40 to 210 bar (580-3050 psi)
<b>Configuration with G1/2 standard thread</b>		
<b>VMD3503B1</b>	1110821101	Aluminium body, setting range from 40 to 210 bar (580-3050 psi)
<b>VMD8003B1</b>	1110831100	Aluminium body, setting range from 20 to 260 bar (290-3770 psi)
<b>VMDS3503B1</b>	1110822101	Steel body, setting range from 40 to 210 bar (580-3050 psi)
<b>VMDS8003B1</b>	1110832100	Steel body, setting range from 20 to 260 bar (290-3770 psi)
<b>Configuration with G3/4 standard thread</b>		
<b>VMD8004B1</b>	1110831101	Aluminium body, setting range from 20 to 260 bar (290-3770 psi)
<b>VMDS8004B1</b>	1110832101	Steel body, setting range from 20 to 260 bar (290-3770 psi)

For different configurations and SAE thread please contact our Sales Dpt.

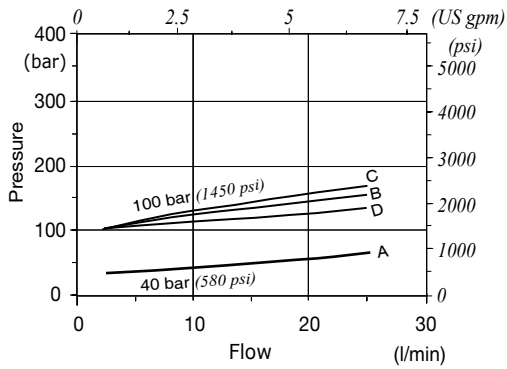
**1 Direct acting pressure relief valves**

Standard setting 150 bar @ 5 l/min (2200 psi @ 1.32 US gpm)

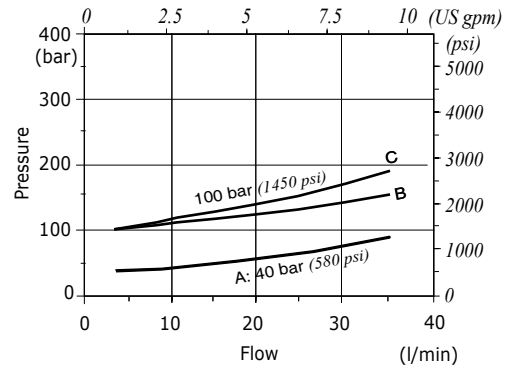
TYPE	CODE	DESCRIPTION
<b>For VMDL..20 valve</b>		
<b>MC08F/0G2B</b>	0MC08002069	Screw adjustment from 50 to 240 bar (725-3500 psi)
<b>For VMD..35 valve</b>		
<b>VMDC35B1(M20X1,5)</b>	1100220400	Screw adjustment from 40 to 210 bar (580-3050 psi)
<b>For VMD..80 valve</b>		
<b>VMDC80B1(M26X1,5)</b>	1100230400	Screw adjustment from 40 to 260 bar (290-3770 psi)

## Rating diagrams

**VMDL..20 pressure vs. flow**  
standard setting @ 5 l/min (1.32 US gpm)



**VMD..35 pressure vs. flow**  
standard setting @ 5 l/min (1.32 US gpm)



**VMD..80 pressure vs. flow**  
standard setting @ 5 l/min (1.32 US gpm)

