



## TCC series Remote controls with flexible cables

- Up to 10 sections
- Low actioning efforts
- Detents, safety lever, several types of knob available
- TCC5 recommended for SD4, SD5, SD6, SDM080 and DF5 valves;  
TCC10 recommended for other valves

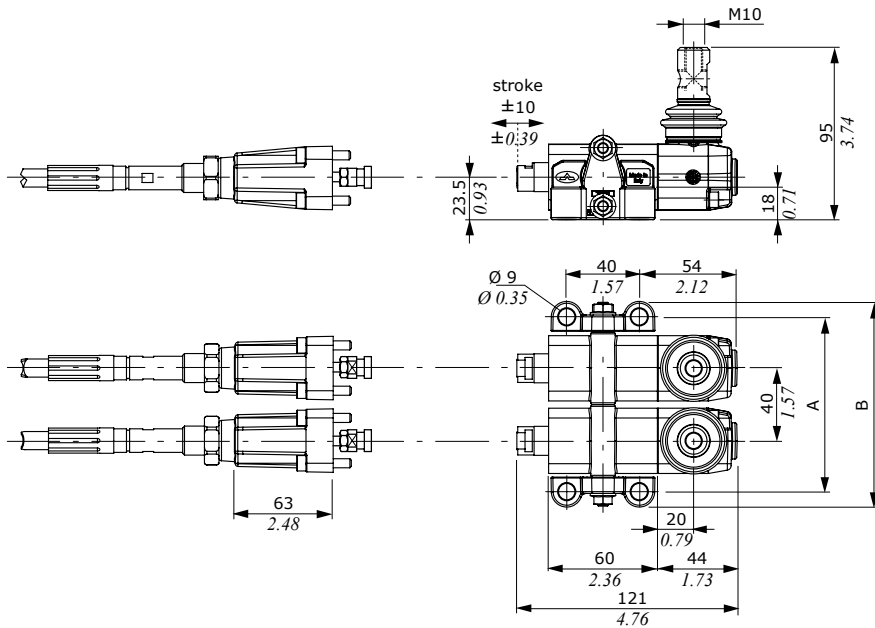
### Working conditions

Max. load: in traction	1450 N - 340 lbf
in compression	880 N - 200 lbf
Minimum recommended bend radius	R = 150 mm - 5.9 in
Working temperature	from -40 to 80 °C - from -40°F to 176°F
Maximum recommended length	4000 mm - 157.48 in

NOTE: the features are referred to remote controls with flexible cables

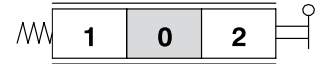
### TCC5 remote control

#### Dimensions



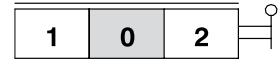
#### M type

Spring return in neutral position

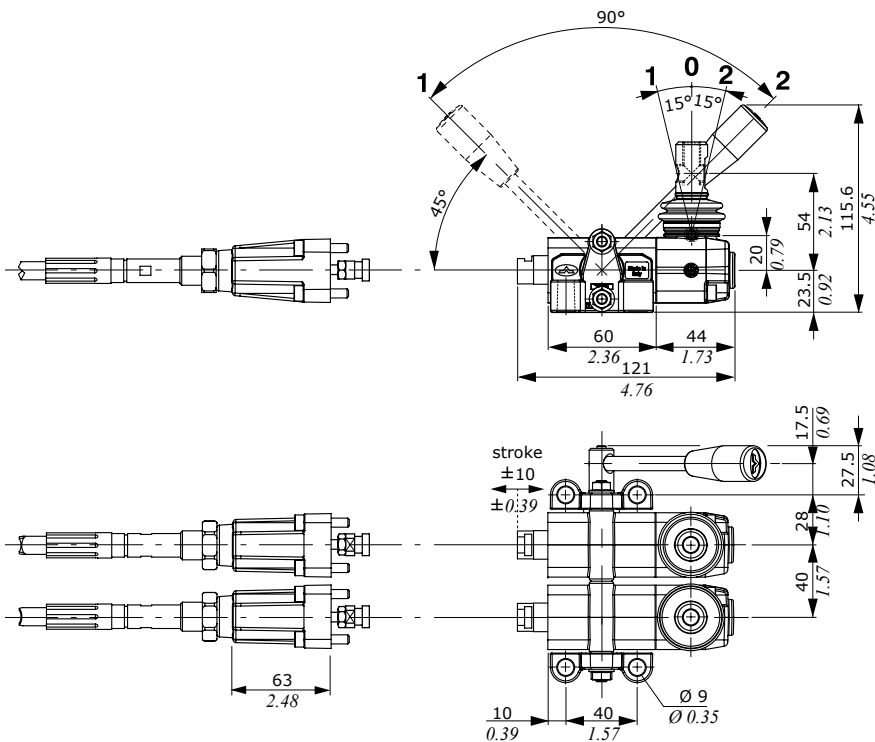


#### T type

Without spring return for detented controls on directional valve and control without neutral position

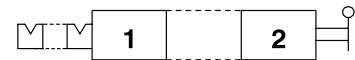


#### U type with movement selector



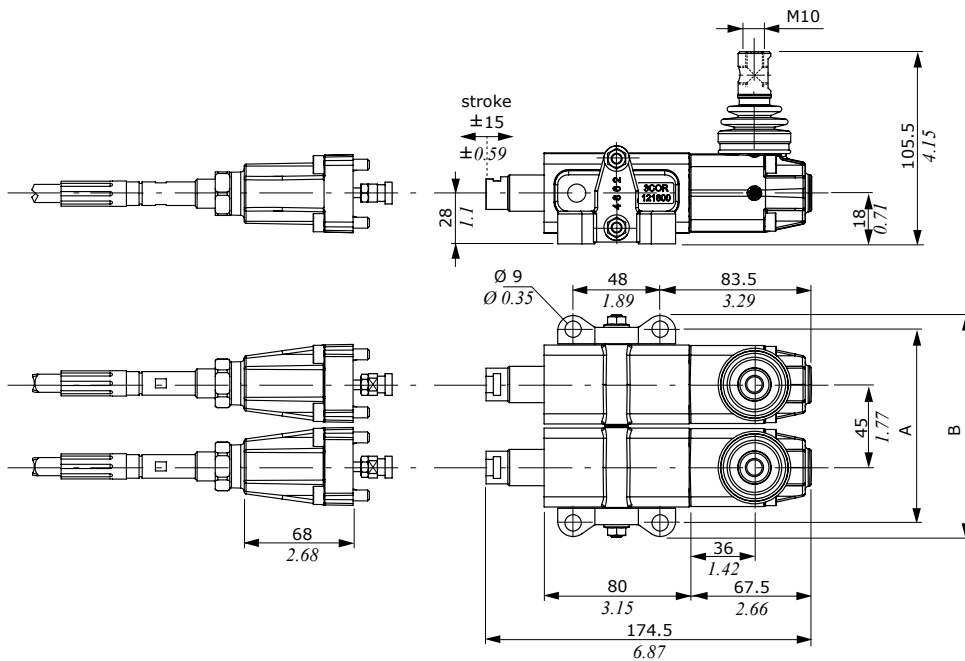
#### U type

Detent in positions 1 and 2, position 0 is not available. To be used only as first or last sections.



TYPE	TCC5/1		TCC5/2		TCC5/3		TCC5/4		TCC5/5		TCC5/6		TCC5/7	
	mm	in	mm	in	mm	in	mm	in	mm	in	mm	in	mm	in
A	56	2.20	96	3.78	136	5.35	176	6.93	216	8.50	256	10.08	296	11.65
B	73	2.87	113	4.45	153	6.02	193	7.6	233	9.17	273	10.74	313	12.32

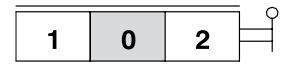
Dimensions



**M type**  
Spring return in neutral position



**T type**  
Without spring return for detented controls on directional valve and control without neutral position



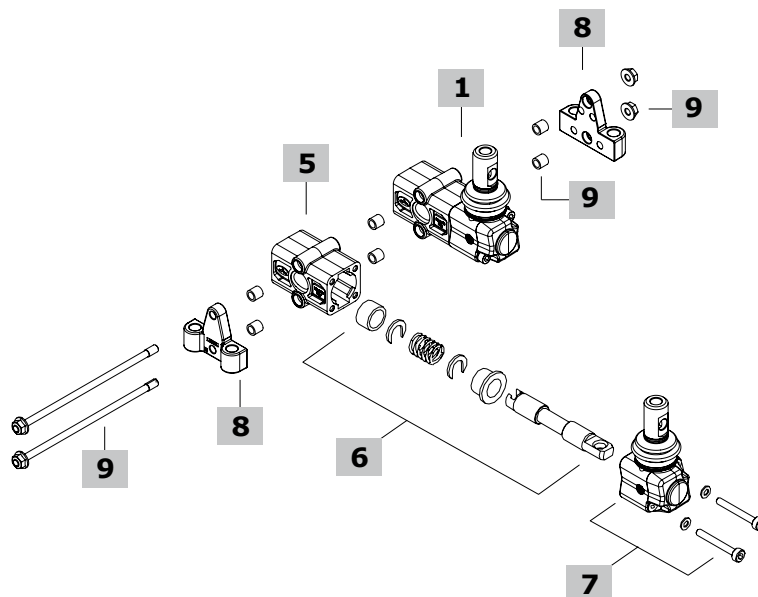
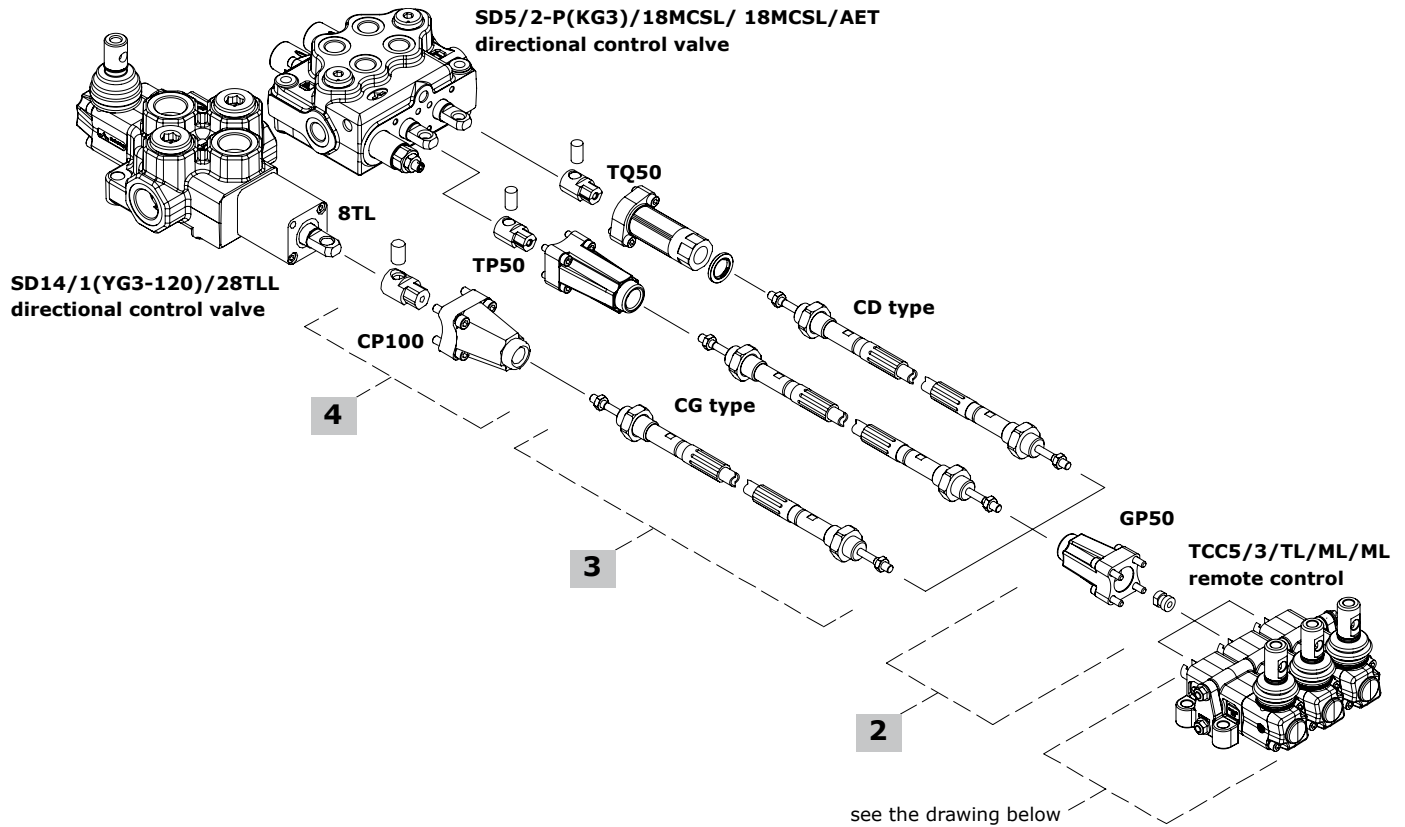
TYPE	TCC10/1		TCC10/2		TCC10/3		TCC10/4		TCC10/5		TCC10/6	
	mm	in	mm	in	mm	in	mm	in	mm	in	mm	in
<b>A</b>	61	2.4	106	4.17	151	5.94	196	7.72	241	9.49	286	11.26
<b>B</b>	78	3.07	123	4.84	168	6.61	213	8.39	258	10.16	303	11.93

## Connecting example

### Description example



TCC5/3/ TL / ML / ML + GP50X3 + CG2000X2 + CD2000 + CP100 + TP50 + TQ50 + SD14/1(YG3-120)/28TLL + SD5/2-P(KG3-120)/18MCSL/18MCSL/AET



**1 Complete section**

TYPE	CODE	DESCRIPTION
<b>TCC 5 remote control</b>		
<b>ML</b>	6TEL005100	Complete section with M10 standard lever and spring return
<b>TL</b>	6TEL005200	Complete section with M10 standard lever without spring return
<b>UL</b>	6TEL005211	Complete section with M10 standard lever and movement selector without spring return
<b>TCC 10 remote control</b>		
<b>ML</b>	6TEL010100	Complete section with M10 standard lever and spring return
<b>TL</b>	6TEL010200	Complete section with M10 standard lever without spring return

**2 Control connection kit**

TYPE	CODE	DESCRIPTION
<b>GP50</b>	5TEL005005	Type for TCC5
<b>GPWP50</b>	5TEL005006	Type for TCC5 waterproof
<b>GP100</b>	5TEL010005	Type for TCC10
<b>GPWP100</b>	5TEL010006	Type for TCC10 waterproof

**3 Flexible cables**

TYPE	CODE	DESCRIPTION
<b>CD type with one fixing end and one turning end</b>		
<b>CD1000</b>	4CAV601000	Length 1000 mm - <i>39.37 in</i>
<b>CD1250</b>	4CAV601250	Length 1250 mm - <i>49.20 in</i>
For different cables see page 18		
<b>CG Type with both turning ends</b>		
<b>CG1000</b>	4CAV701000	Length 1000 mm - <i>39.37 in</i>
<b>CG1250</b>	4CAV701250	Length 1250 mm - <i>49.20 in</i>
For different cables see page 18		

**4 Valve connection kit**

See page 18

**5 Body kit**

TYPE	CODE	DESCRIPTION
<b>TCC 5 remote control</b>		
<b>LCB</b>	5COR111010	LCB mechanical joystick
<b>T-M</b>	3COR111000	For complete section with and without spring return
<b>U</b>	3COR111002	As previous with movement selector
<b>TCC 10 remote control</b>		
<b>T-M</b>	3COR121800	For complete section with and without spring

**6 Positioning controls**

TYPE	CODE	DESCRIPTION
<b>TCC 5 remote control</b>		
<b>M</b>	5GIU316990	Kit with spring return
<b>T</b>	5GIU316992	Kit without spring return
<b>U/ULEB</b>	5GIU316993	Kit for movement selector
<b>TCC 10 remote control</b>		
<b>M</b>	5GIU320990	Kit with spring return
<b>T</b>	5GIU320991	Kit without spring return

**7 Actioning controls**

TYPE	CODE	DESCRIPTION
<b>TCC 5 remote control</b>		
<b>L</b>	5LEV205010	M10 standard lever
<b>L/RC5</b>	5LEV105010	M8 lever
<b>LF1</b>	5LEV205012	M10 lever with stroke adjustment
<b>LSG</b>	5LEV205025	M10 waterproof lever
<b>LEB</b>	5LEV605050	M8 safety lever with lock in neutral
<b>SLP</b>	5COP105010	without lever with dust cover plate
<b>LCB</b>	5CLO205105	Joystick for 2 sections
<b>TCC 10 remote control</b>		
<b>L</b>	5LEV110015	M10 standard lever
<b>SLP</b>	5COP110010	without lever with dust cover plate
<b>LCB11</b>	5CLO211100	Joystick for 2 sections
<b>LSG</b>	5LEV110015S	M10 waterproof lever

**8 Fixing brackets**

CODE	DESCRIPTION
<b>TCC 5 remote control</b>	
<b>5STA346057</b>	Standard support
<b>5STA346058</b>	Selector support
<b>TCC 10 remote control</b>	
<b>5STA354065</b>	Standard support

**9 Tie rod kits**

CODE	DESCRIPTION
<b>TCC 5 remote control</b>	
<b>5TIR106073</b>	TCC5/1 tie rod kit
<b>5TIR106113</b>	TCC5/2 tie rod kit
<b>5TIR106153</b>	TCC5/3 tie rod kit
<b>5TIR106193</b>	TCC5/4 tie rod kit
<b>5TIR106233</b>	TCC5/5 tie rod kit
<b>5TIR106273</b>	TCC5/6 tie rod kit
<b>5TIR106313</b>	TCC5/7 tie rod kit
<b>5TIR106353</b>	TCC5/8 tie rod kit
<b>5TIR106393</b>	TCC5/9 tie rod kit
<b>5TIR106433</b>	TCC5/10 tie rod kit
<b>TCC 10 remote control</b>	
<b>5TIR106078</b>	TCC10/1 tie rod kit
<b>5TIR106123</b>	TCC10/2 tie rod kit
<b>5TIR106168</b>	TCC10/3 tie rod kit
<b>5TIR106213</b>	TCC10/4 tie rod kit
<b>5TIR106258</b>	TCC10/5 tie rod kit
<b>5TIR106303</b>	TCC10/6 tie rod kit
<b>5TIR106348</b>	TCC10/7 tie rod kit
<b>5TIR106394</b>	TCC10/8 tie rod kit
<b>5TIR106438</b>	TCC10/9 tie rod kit
<b>5TIR106483</b>	TCC10/10 tie rod kit