



SCF031/SCF034/SCF032 series Flexible cable remote control joystick

- Mechanical safety lock
- Ergonomic handles with push-buttons available
- Single or dual spool operation for a 2 section directional valve
- High efficiency
- Body, rubber boot and knob made in self-extinguishing and recyclable plastic polymer

Working conditions

Max. permissible torque at the lever	30 Nm - 22.1 lbf ^t
Features of the cable	see CD cable on page 19
Working temperature	from -20 to 80 °C - from -4°F to 176°F
Max. recommended length	4000 mm - 157.48 in
Average efficiency	70%

NOTE: the features are referred to remote control with flexible cables

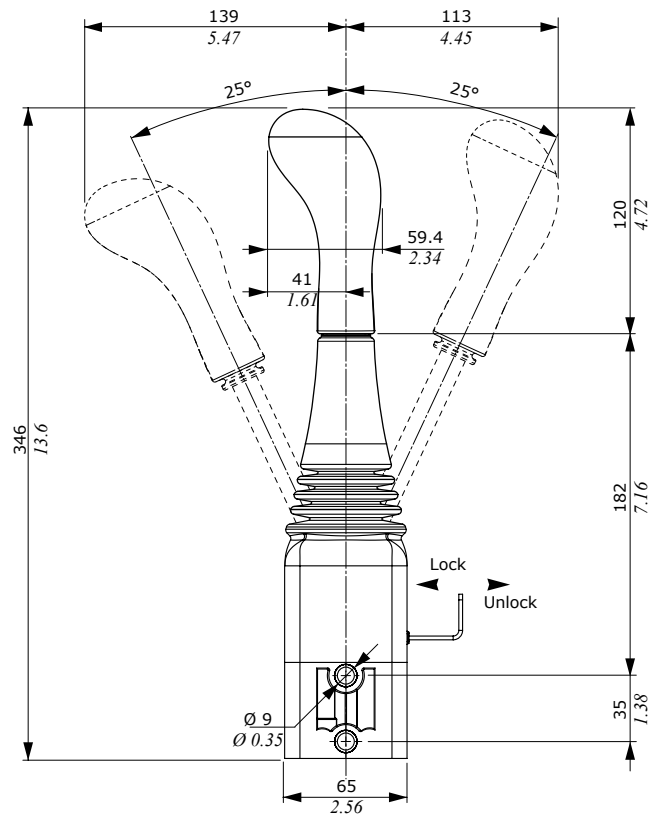
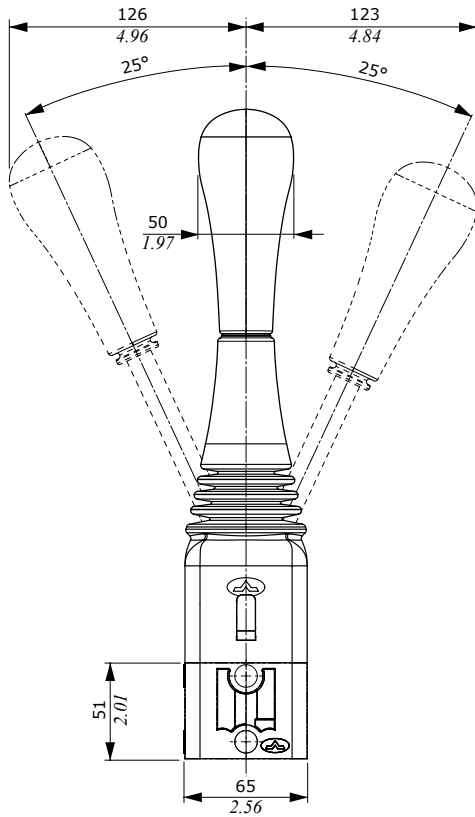
Features

Push-buttons

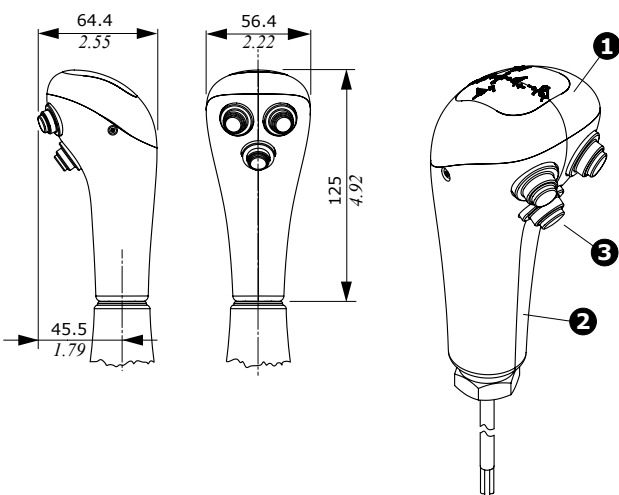
Current/voltage	6 A / 125 VAC
	3 A / 250 VAC
	3 A / 30 VDC
Mechanical life	10 ⁵ n° of operation
Electric life	25x10 ³ n° of operation
Operating force	9.3 N - 2.09 lbf
Weather protection	IP 64

Dimensions and handles

With FW type handle

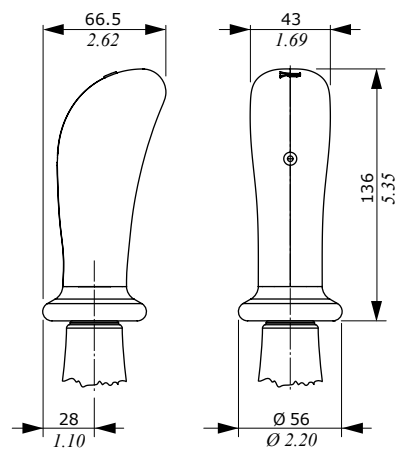


With FWV Series handle



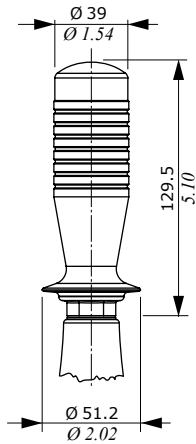
- 1) Upper half-shell
- 2) Bottom half-shell
- 3) K type push-button

With V Series handle



Dimensions and handles

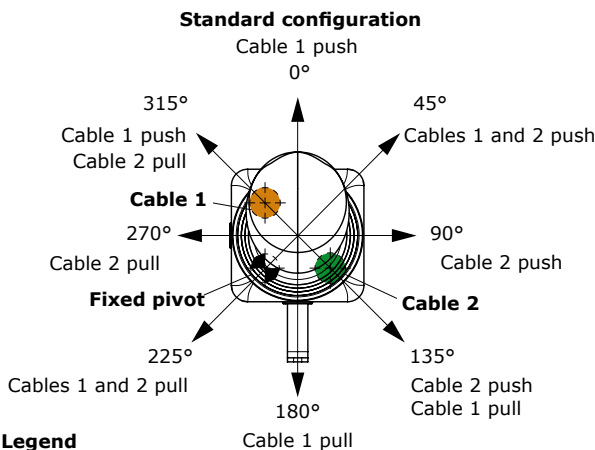
With 10 Series handle



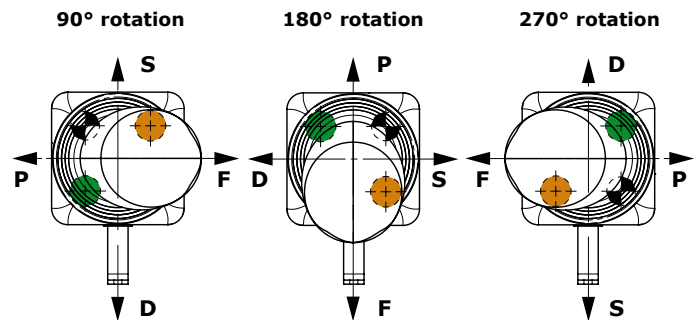
Operations and options

Operation and handle position

Handle can be mounted with 90° rotation step; the table below shows cables operation with handle in non-standard positions.



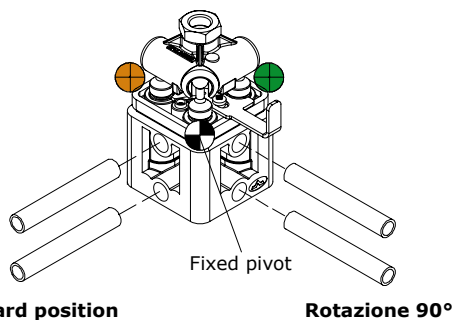
- Legend**
- Cable 1
 - Cable 2
 - Fixed pivot



Handle operation direction	Handle mounting		
	90°	180°	270°
F Front	cable 2 push	cable 1 pull	cable 2 pull
P Rear	cable 2 pull	cable 1 push	cable 2 push
D Right	cable 1 pull	cable 2 pull	cable 1 push
S Left	cable 1 push	cable 2 push	cable 1 pull

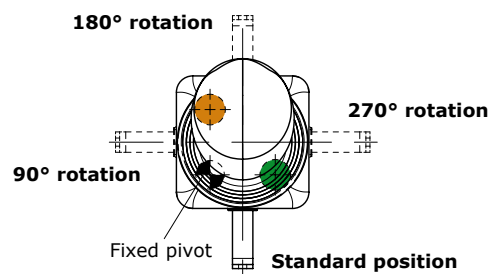
Body mounting

The position of the assembly bushing can be rotated 90° in order to allow the selection of the pilot valve fixing side.



Lock position

The mechanical lock can be mounted with 90° rotation step; its position refers to pivot's and cables' one.



Description example and ordering codes

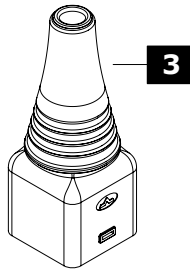
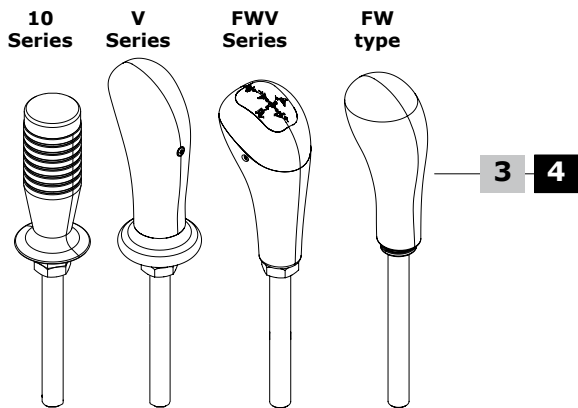
Description example

SCF031 / 0 2 FWV-B-1KN5055-2KN5055-3KN5055+CD1500x2+SDM122/2-P(UD-180)/1[S]13SL/1[S]8MASL/AET

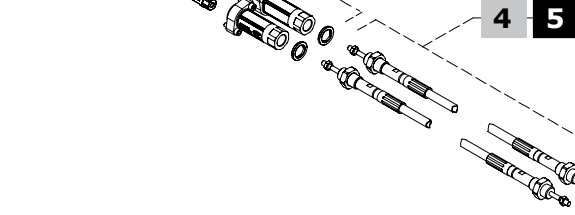
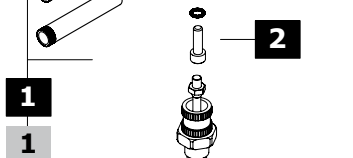
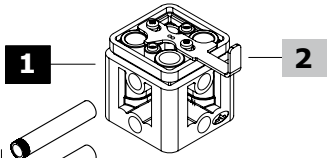
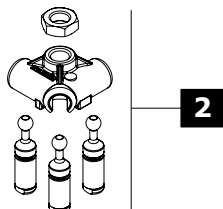
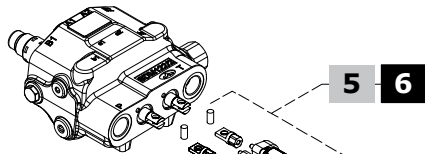


Working section parts ordering codes

SCF031/02 FWV-B-1KN5055-2KN5055-3KN5055 + CD1500x2 + TQ81x2 + SDM122/2-P(UD-180)/1[S]13SL/1[S]8MASL/AET



SDM122/2 directional control valve



SCF031/02 FWV remote control

see exploded view

Description composition

1 Body mounting

TYPE	DESCRIPTION
0	Mounting bushings in standard position
1	Mounting bushings with 90° rotation position

2 Mechanical lock

TYPE	DESCRIPTION
2	In standard position
4	90° rotation position
6	180° rotation position
8	270° rotation position

Note: for operation see page 13

3 Handles

For description see #4 of "Ordering codes".

4 Flexible cable

TYPE	DESCRIPTION
CD1500	CD cable with length 1500 mm - 59 in

Note: For other lengths see page 20

5 Connection kit

TYPE	DESCRIPTION
TQ81	Connection kit for SDM122

Note: for other connection kits see page 21

Ordering codes

1

TYPE	CODE	DESCRIPTION
SCF031/02(STD)	5COR211761	Standard position
SCF031/04(90)	5COR211762	90° rotation position
SCF031/06(180)	5COR211763	180° rotation position
SCF031/08(270)	5COR211764	270° rotation position

Note: For operation and handle position see page 13.

2 Control kit

TYPE	CODE	DESCRIPTION
-	5CIN305	Standard control kit

3 Bellow

TYPE	CODE	DESCRIPTION
SCF031	3SOF204175	Bellows

5 Flexible cable

See page 18

6 Connection kit

TYPE	DESCRIPTION
TQ81	Connection kit for SDM122 and DLM122

Note: for other connection kits see page 21

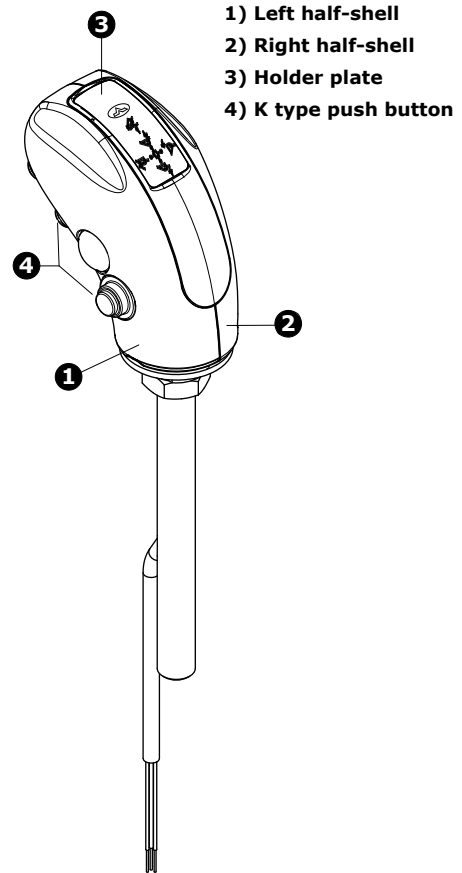
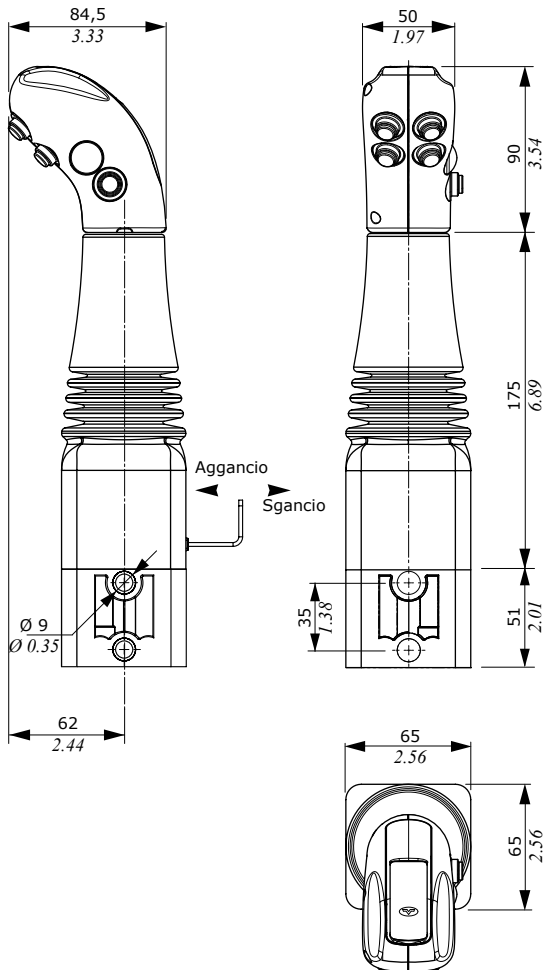
4 Complete handles (with rod)

TYPE	CODE	DESCRIPTION
FW	XAST481400	Standard without push-button
Series FWV handle		
FWV-B	XAST482304	Without push-button, with symbols according to UNI EN 12525
FWV-B-1KN5055-2KN5055-3KN5055		
	XAST482300	With 3 push-buttons and symbols according to UNI EN 12525
Series V handle		
V004	XAST281425	Without switches
V054-045	XAST281422	3 position spring return rocker switch
V104-045	XAST281416	Push-button with horn symbol
V204-045	XAST281426	Push-button without horn symbol
Series 10 handle		
X	XAST481414	Push button with spring return
Z	XAST481415	Push-button with detent
Y	XAST481421	3 position spring return rocker switch

Note: for further configuration contact Sales Department

Dimensions and handles

Configuration with multi-micro ergonomic AMH type handle and dedicated bellow.



- 1) Left half-shell
- 2) Right half-shell
- 3) Holder plate
- 4) K type push button

Description example and ordering codes

Description example

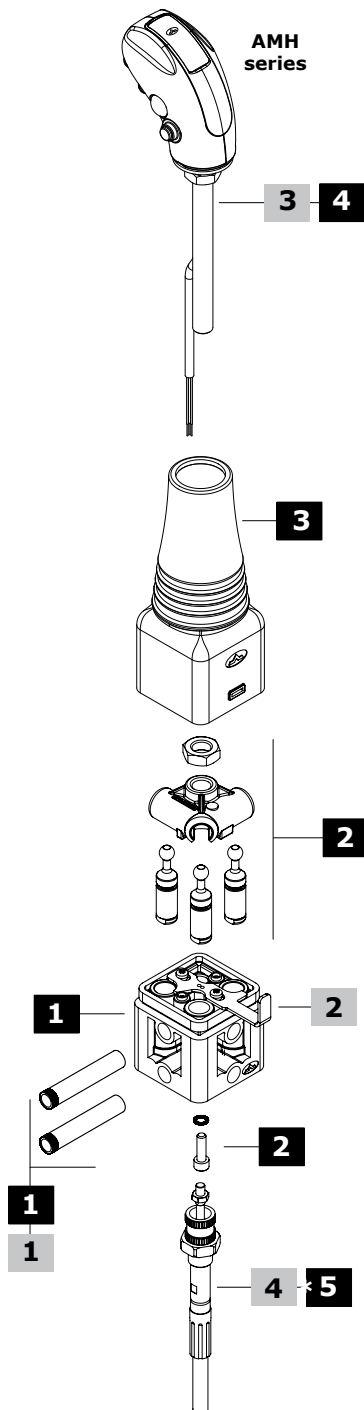
SCF034 / 0 2 AMHK0500A4-4(TAP)-5N5055-6N5055-7N5055-8N5055-9N5055-(E1) + CD1500x2

1
2
3
4

Working section parts ordering codes

SCF034/02 AMHK0500A4-4(TAP)-5N5055-6N5055-7N5055-8N5055-9N5055-(E1) + CD1500x2

1
4
5



Description composition

1 Body mounting

See page 15

2 Mechanical lock

See page 15

3 Handles

For description see #4 of "Ordering codes".

4 Flexible cable

TYPE	DESCRIPTION
CD1500	CD cable with lenght 1500 mm - 59 in
Note: for cables and connection kit see pages 20 and 21	

Ordering codes

1 Body kit

See page 15

2 Control kit

See page 15

3 Bellow

TYPE	CODE	DESCRIPTION
SCF034	3SOF204176	Bellows

4 Handles

Available AMH handles with custom length. Example:

AMH series handle

TYPE: **AMHK0500A4-4(TAP)-5N5055-6N5055-7N5055-8N5055-9N5055-(E1)**

CODE: 2IM3000008 DESCRIPTION: With 4 front push-button and 1 side push-button

TYPE: **AMHM0300C4-1RB1150-6VB1150-8VB1150-(E3)**

CODE: 2IM3000018 DESCRIPTION: With 2 front push-button and 1 side push-button and symbols according to UNI EN 12525

Note: for further configuration contact Sales Department

5 Flexible cable

For cables and connection kit see pages 20 and 21.

Description example and ordering codes

SCF032 is the remote control for special configuration, for example particular length or formed rod and handles not included. Please contact our Sales Department for further information.

Description example with FW handle

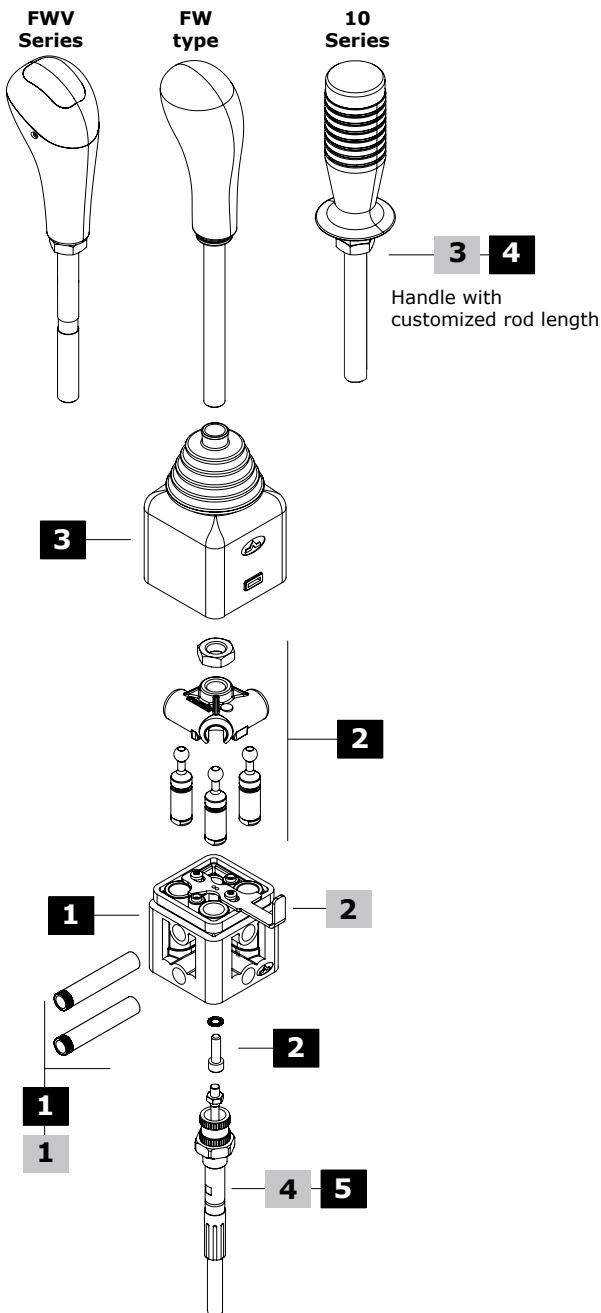
SCF032 / 0 2 FW + CD1500x2

1 2 3 4

Working section parts ordering codes

SCF032/02 FW + CD1500x2

1 4 5



Description composition

1 Body mounting

See page 15

2 Mechanical lock

See page 15

3 Handles

For description see #4 of "Ordering codes".

4 Flexible cable

TYPE	DESCRIPTION
CD1500	CD cable with lenght 1500 mm - 59 in

Note: for cables and connection kit see pages 20 and 21.

Ordering codes

1 Body kit

See page 15

2 Control kit

See page 15

3 Bellow

TYPE	CODE	DESCRIPTION
SCF032	3SOF204111	Short bellows

4 Handles

Available handles with custom length. Example:

TYPE	CODE	DESCRIPTION
S	-	Without handle, without handlever

Standard handle

FW	XAST481400	Standard without push-button, H 260 mm - 10.24 in
FWV-B	XAST482301	Standard up to 3 push-buttons and symbols according to UNI EN 12525, H 265.6 mm - 10.46 in

10 series handle

X	XAST281414	Push button with spring return, H 252 mm - 9.92 in
Z	XAST281415	Push-button with detent, H 254 mm - 10 in
Y	XAST281421	3 positions spring return rocker switch, H 252 mm - 9.92 in

Note: for further configuration contact Sales Department

5 Flexible cable

For cables and connection kit see pages 20 and 21.