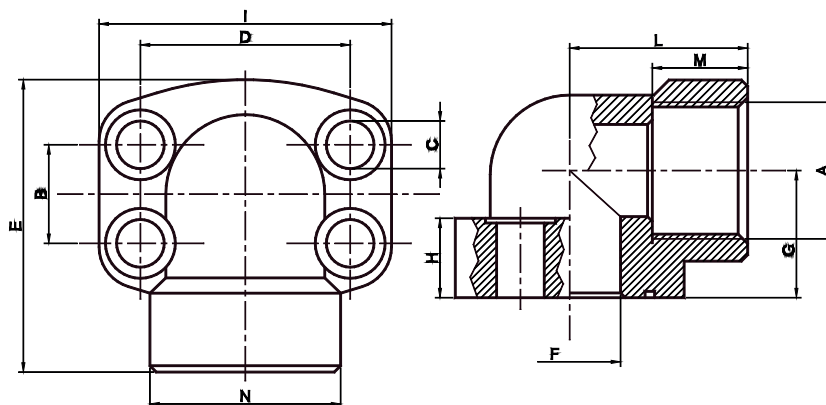


FLANGIA SAE A 90° FILETTATA GAS

SAE 90° PIPE THREADED FLANGE

Material: **Acciaio** ST 52.3

Material: **Steel** ST 52.3



SERIE - SERIES 3000

| TIPO | PRES. MAX ES. [Bar] | S A E | DIMENSIONI - DIMENSIONS | | | | | | | | | | | | VITI-SCREWS | | OR |
|-------------------|---------------------|---------|-------------------------|-------|------|-------|----|------|----|----|----|----|----|----|-------------|----------------|--------|
| TYPE | MAX PRESS [Bar] | | A | B | C | D | E | F | G | H | I | L | M | N | METR. | U.N.C. | |
| TRF/90° 3012 G12 | 348 | 1/2" | 1/2" gas | 17,48 | 8,5 | 38,10 | 59 | 13,5 | 18 | 17 | 57 | 36 | 19 | 31 | M8x30 | 5/16" x 1" 1/4 | 4075 |
| TRF/90° 3034 G34 | | 3/4" | 3/4" gas | 22,23 | 10,5 | 47,63 | 63 | 19 | 22 | 18 | 68 | 38 | 19 | 39 | | | M10x35 |
| TRF/90° 3100 G100 | | 1" | 1" gas | 26,19 | 10,5 | 52,37 | 68 | 25 | 28 | 19 | 74 | 41 | 19 | 45 | M10x35 | 7/16" x 1" 3/4 | |
| TRF/90° 3114 G114 | 279 | 1" 1/4" | 1" 1/4 gas | 30,18 | 11,5 | 58,72 | 84 | 32 | 30 | 22 | 81 | 50 | 22 | 54 | | | M12x45 |
| TRF/90° 3112 G112 | 210 | 1" 1/2" | 1" 1/2 gas | 35,70 | 13,5 | 69,90 | 97 | 38 | 36 | 25 | 95 | 58 | 24 | 63 | M12x45 | 1/2" x 1" 3/4 | |

SERIE - SERIES 6000

| TIPO | PRES. MAX ES. [Bar] | S A E | DIMENSIONI - DIMENSIONS | | | | | | | | | | | | VITI-SCREWS | | OR |
|-------------------|---------------------|---------|-------------------------|-------|------|-------|----|------|----|----|----|----|----|----|-------------|----------------|------|
| TYPE | MAX PRESS [Bar] | | A | B | C | D | E | F | G | H | I | L | M | N | METR. | U.N.C. | |
| TRF/90° 6012 G12 | 420 | 1/2" | 1/2" gas | 18,24 | 8,5 | 40,49 | 59 | 13,5 | 18 | 17 | 57 | 36 | 19 | 31 | M8x30 | 5/16" x 1" 1/4 | 4075 |
| TRF/90° 6034 G34 | | 3/4" | 3/4" gas | 23,80 | 10,5 | 50,80 | 68 | 19 | 28 | 20 | 72 | 41 | 22 | 45 | M10x35 | 3/8" x 1" 1/2 | 4100 |
| TRF/90° 6100 G100 | | 1" | 1" gas | 27,76 | 13 | 57,15 | 84 | 25 | 30 | 24 | 82 | 50 | 24 | 54 | M12x45 | 7/16" x 1" 3/4 | 4131 |
| TRF/90° 6114 G114 | | 1" 1/4" | 1" 1/4 gas | 31,75 | 15 | 66,68 | 97 | 32 | 36 | 25 | 95 | 58 | 25 | 63 | M14x45 | 1/2" x 1" 3/4 | 4150 |

| | | |
|--|--------------------|---|
| <p>ESEMPIO DI ORDINAZIONE ORDERING EXAMPLE</p> | TRF/90° 3012 G12 | SOLO FLANGIA / ONLY FLANGE |
| | TRF/90° 3012 G12 M | FLANGIA COMPLETA CON VITI METRICHE, RONDELLE E O-RING FLANGE COMPLETE WITH METRIC SCREWS, WASHERS AND O-RING |
| | TRF/90° 3012 G12 U | FLANGIA COMPLETA CON VITI UNC, RONDELLE E O-RING FLANGE COMPLETE WITH UNC SCREWS, WASHERS AND O-RING |