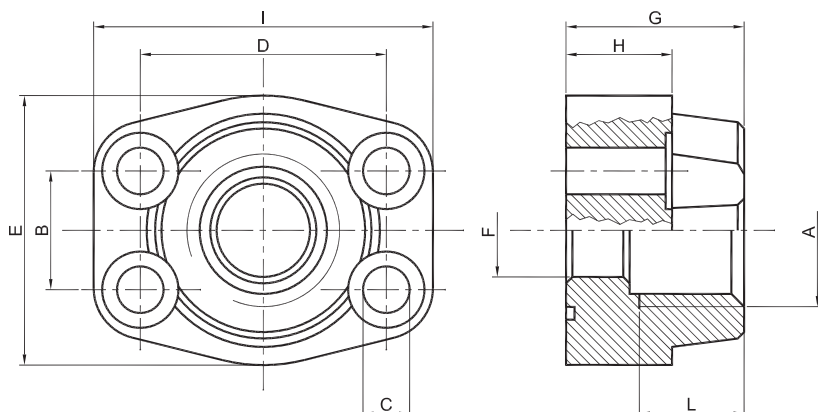


FLANGIA SAE FILETTATA GAS

SAE FLANGE BSP THREAD

Material: **Acciaio** ST 52.3

Material: **Steel** ST 52.3



SERIE - SERIES 6000

| TIPO | PRESS. MAX ES. [Bar] | S.A.E. | DIMENSIONI - DIMENSIONS | | | | | | | | | | VITI-SCREWS | | O-RING |
|---------------|----------------------|--------|-------------------------|-------|------|-------|-----|----|----|----|-----|----|-------------|----------------|--------|
| | | | A | B | C | D | E | F | G | H | I | L | METRICHE | U.N.C. | |
| TRF 6012 G38 | 420 | 1/2" | 3/8" gas | 18,24 | 8,5 | 40,49 | 46 | 13 | 36 | 16 | 55 | 20 | M8 x 30 | 5/16" x 1" 1/4 | 4075 |
| TRF 6012 G12 | | | 1/2" gas | 18,24 | 8,5 | 40,49 | 46 | 13 | 36 | 16 | 55 | 20 | | | |
| TRF 6034 G12 | | 3/4" | 1/2" gas | 23,80 | 10,5 | 50,80 | 56 | 18 | 36 | 21 | 71 | 21 | M10 x 35 | 3/8" x 1" 1/2 | 4100 |
| TRF 6034 G34 | | | 3/4" gas | 23,80 | 10,5 | 50,80 | 56 | 19 | 36 | 21 | 71 | 21 | | | |
| TRF 6100 G34 | | 1" | 3/4" gas | 27,76 | 13 | 57,15 | 68 | 19 | 42 | 25 | 81 | 23 | M12 x 45 | 7/16" x 1" 3/4 | 4131 |
| TRF 6100 G100 | | | 1" gas | 27,76 | 13 | 57,15 | 68 | 25 | 42 | 25 | 81 | 23 | | | |
| TRF 6114 G100 | | 1" 1/4 | 1" gas | 31,75 | 15 | 66,68 | 78 | 25 | 45 | 27 | 95 | 25 | M14 x 45 | 1/2" x 1" 3/4 | 4150 |
| TRF 6114 G114 | | | 1" 1/4 gas | 31,75 | 15 | 66,68 | 78 | 32 | 45 | 27 | 95 | 25 | | | |
| TRF 6112 G114 | | 1" 1/2 | 1" 1/4 gas | 36,50 | 17 | 79,38 | 94 | 32 | 51 | 29 | 112 | 29 | M16 x 55 | 5/8" x 2" | 4187 |
| TRF 6112 G112 | | | 1" 1/2 gas | 36,50 | 17 | 79,38 | 94 | 38 | 51 | 29 | 112 | 29 | | | |
| TRF 6200 G112 | | 2" | 1" 1/2 gas | 44,45 | 21 | 96,82 | 116 | 38 | 70 | 37 | 136 | 35 | M20 x 65 | 3/4" x 2" 1/2 | 4225 |
| TRF 6200 G200 | | | 2" gas | 44,45 | 21 | 96,82 | 116 | 51 | 70 | 37 | 136 | 35 | | | |

| | | |
|--|----------------|---|
| <p>ESEMPIO DI ORDINAZIONE ORDERING EXAMPLE</p> | TRF 6012 G12 | SOLO FLANGIA / ONLY FLANGE |
| | TRF 6012 G12 M | FLANGIA COMPLETA CON VITI METRICHE, RONDELLE E O-RING FLANGE COMPLETE WITH METRIC SCREWS, WASHERS AND O-RING |
| | TRF 6012 G12 U | FLANGIA COMPLETA CON VITI UNC, RONDELLE E O-RING FLANGE COMPLETE WITH UNC SCREWS, WASHERS AND O-RING |