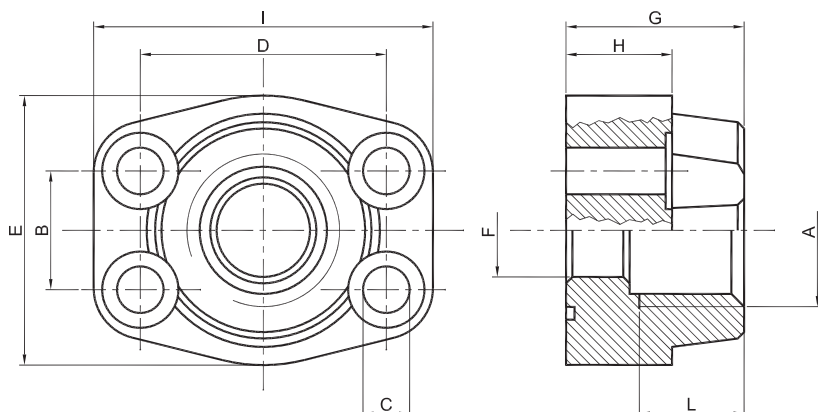


FLANGIA SAE FILETTATA GAS

SAE FLANGE BSP THREAD

Material: **Acciaio** ST 52.3

Material: **Steel** ST 52.3



SERIE - SERIES 3000

TIPO	PRESS. MAX ES. [Bar]	S.A.E.	DIMENSIONI - DIMENSIONS										VITI-SCREWS		O-RING	
			A	B	C	D	E	F	G	H	I	L	METRICHE	U.N.C.		
TYPE	MAX PRESS. [Bar]															
TRF 3012 G38	348	1/2"	3/8" gas	17,48	8,5	38,10	46	13	36	16	55	20	M8 x 30	5/16" x 1" 1/4	4075	
TRF 3012 G12			1/2" gas	17,48	8,5	38,10	46	13	36	16	55	20				
TRF 3034 G12		3/4"	1/2" gas	22,23	10,5	47,63	51	18	36	18	66	21	M10 x 35	3/8" x 1" 1/2	4100	
TRF 3034 G34			3/4" gas	22,23	10,5	47,63	51	19	36	18	66	21				
TRF 3100 G34		1"	3/4" gas	26,19	10,5	52,37	56	19	38	21	71	23	M10 x 35	3/8" x 1" 1/2	4131	
TRF 3100 G100			1" gas	26,19	10,5	52,37	56	25	38	21	71	23				
TRF 3114 G100	279	1" 1/4	1" gas	30,18	11,5	58,72	68	25	41	25	81	23	M10 x 35	7/16" x 1" 3/4	4150	
TRF 3114 G114			1" 1/4 gas	30,18	11,5	58,72	68	32	41	25	81	23				
TRF 3112 G114	210	1" 1/2	1" 1/4 gas	35,71	13,5	69,85	78	32	45	27	95	25	M12 x 45	1/2" x 1" 3/4	4187	
TRF 3112 G112			1" 1/2 gas	35,71	13,5	69,85	78	38	45	27	95	25				
TRF 3200 G112		2"	1" 1/2 gas	42,88	13,5	77,77	91	38	45	25	102	25	M12 x 45	1/2" x 1" 3/4	4225	
TRF 3200 G200			2" gas	42,88	13,5	77,77	91	51	45	25	102	25				
TRF 3212 G200	175	2" 1/2	2" gas	50,80	13,5	88,90	103	51	50	25	114	30	M12 x 45	1/2" x 1" 3/4	4275	
TRF 3212 G212			2" 1/2 gas	50,80	13,5	88,90	103	63	50	25	114	30				
TRF 3300 G212	138	3"	2" 1/2 gas	61,93	17	106,40	124	63	50	27	135	30	M16 x 55	5/8" x 2"	4337	
TRF 3300 G300			3" gas	61,93	17	106,40	124	73	50	27	135	30				

<p>ESEMPIO DI ORDINAZIONE ORDERING EXAMPLE</p>	TRF 3012 G12	SOLO FLANGIA / ONLY FLANGE
	TRF 3012 G12 M	FLANGIA COMPLETA CON VITI METRICHE, RONDELLE E O-RING FLANGE COMPLETE WITH METRIC SCREWS, WASHERS AND O-RING
	TRF 3012 G12 U	FLANGIA COMPLETA CON VITI UNC, RONDELLE E O-RING FLANGE COMPLETE WITH UNC SCREWS, WASHERS AND O-RING