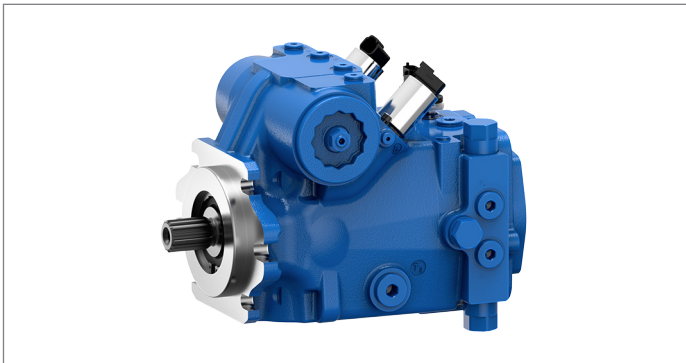


Axial piston variable pump A4VG series 35



- ▶ High-pressure pump for applications in a closed circuit up to 530 bar
- ▶ Sizes 56 to 90
- ▶ Nominal pressure 400 bar
- ▶ Maximum pressure 530 bar

Features

- ▶ High power density owing to a very high pressure level
- ▶ Integrated auxiliary pump for boost and pilot oil supply
- ▶ Flow direction changes when the swashplate is moved through the neutral position
- ▶ High-pressure relief valves with integrated boost function
- ▶ Boost-pressure relief valve
- ▶ Through drive for mounting additional pumps
- ▶ High total efficiency
- ▶ Swashplate design
- ▶ Compact design and high power density
- ▶ Especially suitable for use in electrified travel drives thanks to integrated sensors
- ▶ Supports the cross-linking of motor and machine control with the travel drive.

Contents

Type code	2
Hydraulic fluid	4
Working pressure range	5
Technical data	7
ET – Electronic control, direct-operated	10
Dimensions, size 56	13
Dimensions, size 71	16
Dimensions, size 90	19
Dimensions, through-drive	22
Overview of mounting options	26
Combination pumps A4VG + A4VG	27
High-pressure relief valves	28
Filtration in the boost pump suction line	30
Filtration in the boost pump pressure line	30
External boost pressure supply	31
Boost-pressure relief valve	31
Connector for the pressure reducing valve	32
Pressure sensor	32
Swivel angle sensor	33
Installation dimensions for coupling assembly	35
Installation instructions	36
Project planning notes	39
Safety instructions	40

Type code

01	02	03	04	05	06	07	08	09	10	11	12	13	14	15	16	17	18	19	20	21	
A4V	G			0	P	/	35			N								0	0	-	

Axial piston unit

01	Swashplate design, variable, nominal pressure 400 bar, maximum pressure 530 bar	A4V
----	---	------------

Operating mode

02	Pump, closed circuit	G
----	----------------------	----------

Size (NG)

03	Geometric displacement, see "Technical data" on page 7	056	071	090
		●	●	●

Control device

			On-board voltage			056	071	090	
04	Electronic control	Direct-operated with two pressure reducing valves; prepared for BODAS Software	$U = 12\text{ V}$	●	●	●		ETA	
			$U = 24\text{ V}$	●	●	●		ETB	
	Direct-operated with two pressure reducing valves		$U = 12\text{ V}$	●	●	●		ET1	
			$U = 24\text{ V}$	●	●	●		ET2	

Additional function

05	Without additional function	056	071	090	0
		●	●	●	

Connector for the pressure reducing valve¹⁾

06	DEUTSCH molded connector, 2-pin, DT04-2P – without suppressor diode	056	071	090	P
		●	●	●	

Series

07	Series 3, index 5	35
----	-------------------	-----------

Version of port and fastening threads

			056	071	090	
08	Metric ports according to ISO 6149 with O-ring seal, metric fastening thread according to DIN 13		●	●	●	M
	Ports according to ISO 11926 with O-ring seal (ANSI), metric fastening thread according to DIN 13 on the working port and on the through drive ²⁾		●	●	●	D

Direction of rotation

			056	071	090	
09	Viewed on drive shaft	Clockwise	●	●	●	R
		Counter-clockwise	●	●	●	L

Sealing material

10	NBR (nitrile rubber), shaft seal in FKM (fluorocarbon rubber)	056	071	090	N
		●	●	●	

Mounting flange

			056	071	090	
11	SAE J744	127-2	●	-	-	C2
		127-2/4	-	●	●	C6

Drive shaft

			056	071	090	
12	Splined shaft ANSI B92.1a-1976	1 1/4 in 14T 12/24DP	●	●	○ ³⁾	S7
		1 3/8 in 21T 16/32DP	●	●	-	V8
		1 3/4 in 13T 8/16DP	-	-	●	T1
	Splined shaft DIN 5480	W35×2×16×9g	●	●	●	Z8

Working port

			056	071	090	
13	Working port A and B , same side left	Suction port S bottom	●	●	●	20
	Working port A and B , same side right	Suction port S bottom	●	●	●	21

● = Available ○ = On request - = Not available = Preferred program

- 1) Connector specification refers to control device. Connectors for other electric components may deviate.
- 2) Also applies to the version without through drive
- 3) Observe the maximum permissible input torque

01	02	03	04	05	06	07	08	09	10	11	12	13	14	15	16	17	18	19	20	21	
A4V	G			0	P	/	35			N								0	0	-	

Boost pump																		056	071	090	
14	Without integrated boost pump																	●	●	●	U
	Integrated boost pump																	●	●	●	G

Through drive⁴⁾																		056	071	090	
15	Without through drive																	●	●	●	0000
	Flange SAE J744																	Hub for splined shaft ⁶⁾			
	Diameter		Mounting ⁵⁾		Code		Diameter				Code										
	82-2 (A)		⌀		A1		5/8 in		9T 16/32DP		S2		●	●	●	A1S2					
			∞		A2		5/8 in		9T 16/32DP		S2		●	●	●	A2S2					
	101-2 (B)		⌀		B1		7/8 in		13T 16/32DP		S4		●	●	●	B1S4					
							1 in		15T 16/32DP		S5		●	●	●	B1S5					
			∞		B2		7/8 in		13T 16/32DP		S4		●	●	●	B2S4					
							1 in		15T 16/32DP		S5		●	●	●	B2S5					
	127-2/4 (C)		⌀		C6		1 1/4 in		14T 12/24DP		S7		●	●	●	C6S7					
		⌀		C9		1 1/4 in		14T 12/24DP		S7		●	●	●	C9S7						

High-pressure relief valve																		056	071	090			
16	High-pressure relief valve, direct operated, fixed setting																	Without bypass		●	●	●	A
																		With bypass		●	●	●	C

Filtration boost circuit/external boost pressure supply																		056	071	090	
17	Filtration in the boost pump suction line																	●	●	●	S
	Filtration in the boost pump pressure line, ports for external boost circuit filtration (F_e and F_a)																	●	●	●	D
	External boost pressure supply (on version without integrated boost pump)																	●	●	●	E

Pressure sensor																		056	071	090	
18	Without pressure sensor																	●	●	●	0
	Pressure sensors at the measuring ports M_A and M_B (high pressure) ⁷⁾																	●	●	●	4

Swivel angle sensor																		056	071	090	
19	Without swivel angle sensor																	●	●	●	0
	Electric swivel angle sensor PAL ⁸⁾																	○	○	○	F

Other																		056	071	090	
20	Without																	●	●	●	0

Standard/special version																		056	071	090	
21	Standard version																	●	●	●	0
	Standard version with installation variants, e.g. T ports open or closed, contrary to standard																	●	●	●	Y
	Special version																	●	●	●	S

● = Available ○ = On request - = Not available = Preferred program

Notice

- ▶ Observe the project planning notes on page 39!
- ▶ In addition to the type code, please specify the relevant technical data when placing your order.
- ▶ Please note that not all type code combinations are available although the individual functions are marked as being available.

- 4) Specifications for the version with integrated boost pump, please contact us for the version without boost pump
- 5) Mounting hole pattern viewed on through drive, control at top
- 6) Hub for splined shaft according to ANSI B92.1a-1976 (splined shaft according to SAE J744)
- 7) Specify type code of pressure sensor acc. to data sheet PR4 (95156) separately and observe the requirements for the electronics.
- 8) Type code, technical data, dimensions and safety instructions for the swivel angle sensor PAL can be found in the relevant data sheet 95161. Observe the requirements for the electronics.

Hydraulic fluid

The axial piston unit is designed for operation with HLP mineral oil according to DIN 51524.

Application instructions and requirements for hydraulic fluid selection, behavior during operation as well as disposal and environmental protection should be taken from the following data sheets before the start of project planning:

- ▶ 90220: Hydraulic fluids based on mineral oils and related hydrocarbons
- ▶ 90221: Environmentally acceptable hydraulic fluids
- ▶ 90222: Fire-resistant, water-free hydraulic fluids (HFDR/HFDU)
- ▶ 90225: Limited technical data for operation with water-free and water-containing fire-resistant hydraulic fluids (HFDR, HFDU, HFAE, HFAS, HFB, HFC)

Selection of hydraulic fluid

Bosch Rexroth evaluates hydraulic fluids on the basis of the Fluid Rating according to the technical data sheet 90235.

Hydraulic fluids with positive evaluation in the Fluid Rating are listed in the following data sheet:

- ▶ 90245: Bosch Rexroth Fluid Rating List for Rexroth hydraulic components (pumps and motors)

Selection of hydraulic fluid shall make sure that the operating viscosity in the operating temperature range is within the optimum range (v_{opt} ; see selection diagram).

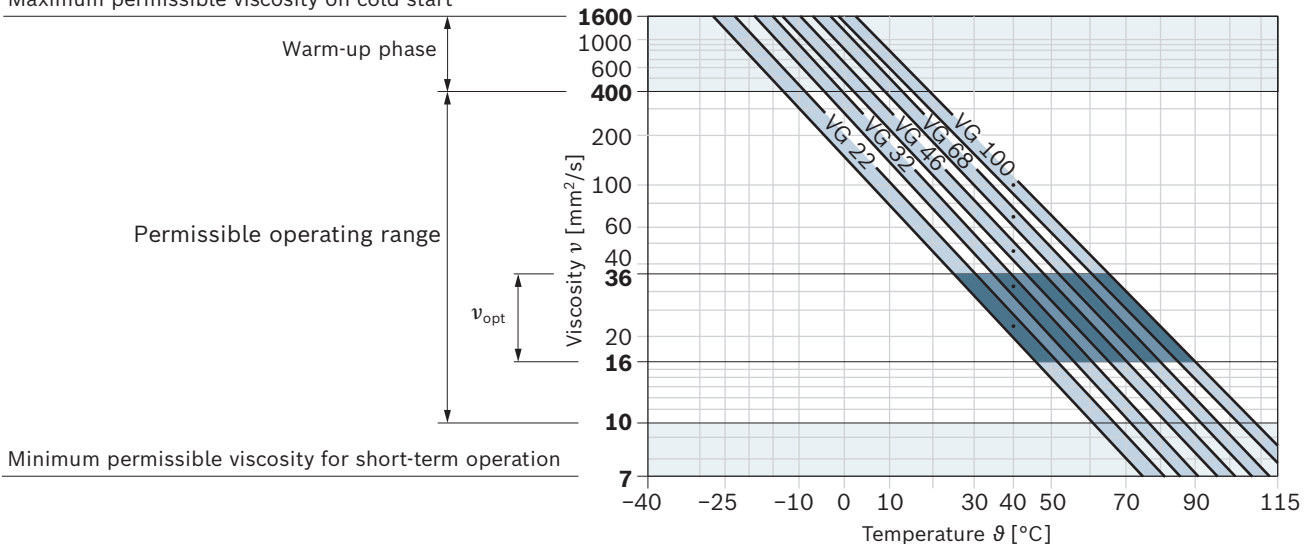
Viscosity and temperature of hydraulic fluids

	Viscosity	Shaft seal	Temperature ³⁾	Comment
Cold start	$v_{max} \leq 1600 \text{ mm}^2/\text{s}$	NBR ²⁾	$\vartheta_{St} \geq -40^\circ\text{C}$	$t \leq 3 \text{ min}$, without load ($p \leq 50 \text{ bar}$), $n \leq 1000 \text{ rpm}$ Permissible temperature difference between axial piston unit and hydraulic fluid in the system maximum 25 K
		FKM	$\vartheta_{St} \geq -25^\circ\text{C}$	
Warm-up phase	$v = 1600 \dots 400 \text{ mm}^2/\text{s}$			$t \leq 15 \text{ min}$, $p \leq 0.7 \times p_{nom}$ and $n \leq 0.5 \times n_{nom}$
Permissible operating range	$v = 400 \dots 10 \text{ mm}^2/\text{s}$ ¹⁾	NBR ²⁾	$\vartheta \leq +85^\circ\text{C}$	Measured at port T
		FKM	$\vartheta \leq +110^\circ\text{C}$	
	$v_{opt} = 36 \dots 16 \text{ mm}^2/\text{s}$			Optimal operating viscosity and efficiency range
Short-term operation	$v_{min} = 10 \dots 7 \text{ mm}^2/\text{s}$	NBR ²⁾	$\vartheta \leq +85^\circ\text{C}$	$t \leq 3 \text{ min}$, $p \leq 0.3 \times p_{nom}$, measured at port T
		FKM	$\vartheta \leq +110^\circ\text{C}$	

Notice: The maximum circuit temperature of +115°C must not be exceeded at the working ports **A** and **B** complying with the permissible viscosity.

▼ Selection diagram

Maximum permissible viscosity on cold start



1) This corresponds, e.g. on the VG 46, to a temperature range of +4 °C to +85 °C (see selection diagram)

2) Special version, please contact us

3) If the temperature at extreme operating parameters cannot be adhered to, please contact us.

Filtration of the hydraulic fluid

Finer filtration improves the cleanliness level of the hydraulic fluid, which increases the service life of the axial piston unit.

A cleanliness level of at least 20/18/15 is to be maintained according to ISO 4406.

At a hydraulic fluid viscosity of less than 10 mm²/s (e.g. due to high temperatures during short-term operation), a cleanliness level of at least 19/17/14 according to ISO 4406 is required.

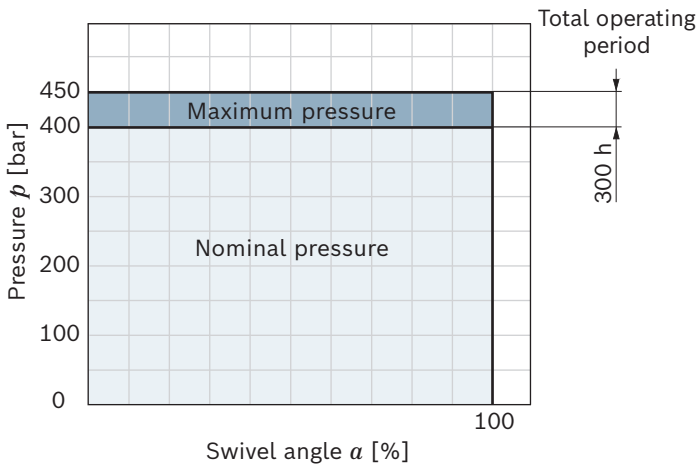
Examples of temperatures of hydraulic fluids at a viscosity of 10 mm²/s:

- ▶ 73 °C at HLP 32
- ▶ 85 °C at HLP 46

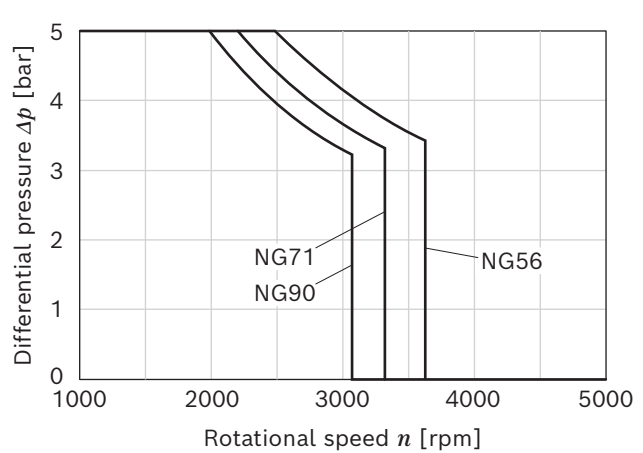
Working pressure range

Pressure at working port A or B		Definition
Nominal pressure p_{nom}	400 bar	The nominal pressure corresponds to the maximum design pressure.
Maximum pressure p_{max}	450 bar	The maximum pressure corresponds to the maximum working pressure within a single operating period. The sum of single operating periods must not exceed the total operating period.
Maximum single operating period	10 s	Within the total operating period of 300 h, a maximum pressure of 450 bar to 530 bar is permissible for a limited period of 50 h. With 530 bar, the axial piston unit may thereby only be swiveled out by a maximum of 75%, see characteristic curve "maximum pressure p_{max} up to 530 and total operating period" on page 6.
Total operating period	300 h	
Swivel angle	100%	
Maximum pressure p_{max}	530 bar	Observe the information regarding "Project planning with a maximum pressure from 450 bar to 530 bar" on page 6.
Maximum single operating period	10 s	
Total operating period	50 h	
Swivel angle	Maximum 75%	
Minimum pressure (low-pressure side)	10 bar above case pressure	Minimum pressure on the low-pressure side (A or B) required to prevent damage to the axial piston unit.
Rate of pressure change $R_{A_{max}}$	9000 bar/s	Maximum permissible speed of pressure build-up and reduction during a pressure change across the entire pressure range.
Boost pump		
Nominal pressure $p_{Sp_{nom}}$	25 bar	
Maximum pressure $p_{Sp_{max}}$	30 bar	
Pressure at suction port S (inlet)		
Continuous $p_{S_{min}}$	≥0.8 bar absolute	$v \leq 30 \text{ mm}^2/\text{s}$
Short-term, at a cold start	≥0.5 bar absolute	$t < 3 \text{ min}$
Maximum pressure $p_{S_{max}}$	≤5 bar absolute	
Control pressure		
Required control pressure p_{St} at $n = 2000 \text{ rpm}$	25 bar above case pressure	Required control pressure p_{St} , to ensure the function of the control. The required control pressure is dependent on the rotational speed and working pressure.
Case pressure at port T		
Continuous differential pressure $\Delta p_{T_{cont}}$	2 bar	Maximum, averaged differential pressure at the shaft seal (housing to ambient pressure)
Maximum differential pressure $\Delta p_{T_{max}}$	See the diagram	Permissible differential pressure at the shaft seal (case pressure to ambient pressure)
Pressure peaks $p_{T_{peak}}$	10 bar	$t < 0.1 \text{ s}$, maximum 1000 pressure peaks permissible

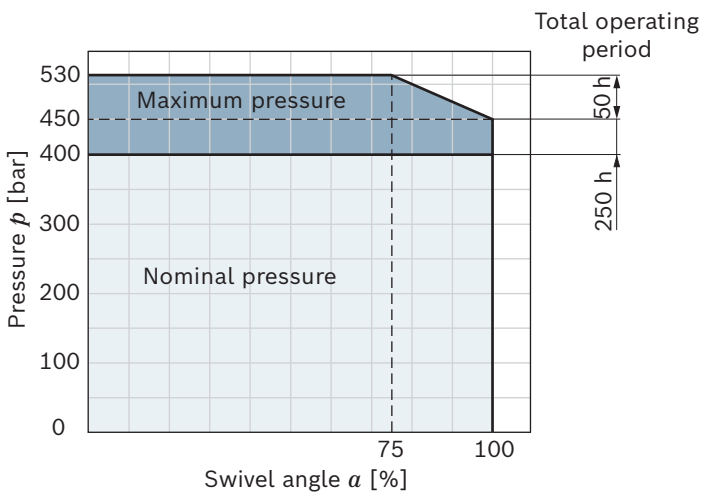
▼ **Maximum pressure p_{max} up to 450 bar and total operating period**



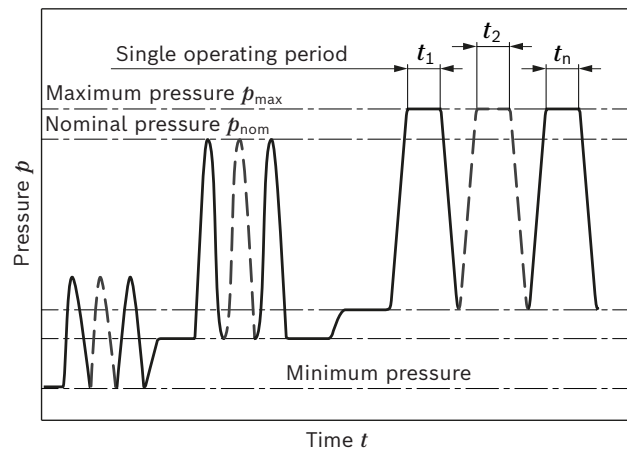
▼ **Maximum differential pressure at the shaft seal**



▼ **Maximum pressure p_{max} up to 530 bar and total operating period**

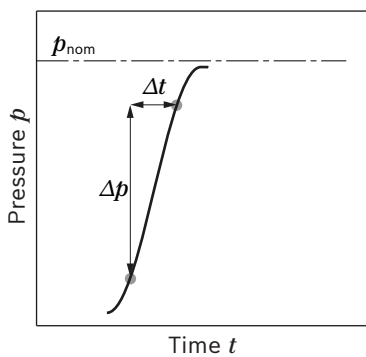


▼ **Pressure definition**



Total operating period = $t_1 + t_2 + \dots + t_n$

▼ **Rate of pressure change $R_{A max}$**



Notice

- ▶ Working pressure range applies when using hydraulic fluids based on mineral oils. Please contact us for values for other hydraulic fluids.
- ▶ In addition to the hydraulic fluid and the temperature, the service life of the shaft seal is influenced by the rotational speed of the axial piston unit and the case pressure.
- ▶ The service life of the shaft seal decreases with increasing frequency of pressure peaks and increasing mean differential pressure.
- ▶ The case pressure must be greater than the external pressure (ambient pressure) at the shaft seal.
- ▶ Project planning with a maximum pressure from 450 bar to 530 bar must be realized via your competent contact partner at Bosch Rexroth.

Technical data

Size		NG		56	71	90	
Geometric displacement, per revolution							
	Variable pump	$V_{g \max}$	cm ³	56	71	90	
	Boost pump (at $p = 20$ bar)	$V_{g Sp}$	cm ³	13.8	18.9	18.9	
Rotational speed ¹⁾	Maximum at $V_{g \max}$ and $\Delta p = 0$ bar	n_{nom}	rpm	3600	3300 ²⁾	3050	
	At $\Delta p \geq 40$ bar ($t < 15$ s)	$n_{max 40}$	rpm	4050	On request	3500	
	Minimum	n_{min}	rpm	500	500	500	
Flow	At n_{nom} and $V_{g \max}$	q_v	l/min	202	234	275	
Power ³⁾	At n_{nom} , $V_{g \max}$ and $\Delta p = 400$ bar	P	kW	134	156	183	
Torque ³⁾	At $V_{g \max}$ and	$\Delta p = 400$ bar	M	Nm	357	452	573
		$\Delta p = 100$ bar	M	Nm	89	113	143
Rotary stiffness of drive shaft	S7	c	kNm/rad	80.8	98.8	107.6	
	V8	c	kNm/rad	95	120.9	–	
	T1	c	kNm/rad	–	–	158.1	
	Z8	c	kNm/rad	95.8	122.8	137	
Moment of inertia of the rotary group		J_{TW}	kgm ²	0.0066	0.0097	0.0149	
Maximum angular acceleration ⁴⁾		α	rad/s ²	24000	21000	18000	
Case volume		V	l	1.6	2.1	2.0	
Weight (without through drive) approx. ⁵⁾		m	kg	37.6	49.2	50.2	

Notice

- ▶ Theoretical values, without efficiency and tolerances; values rounded
- ▶ Operation above the maximum values or below the minimum values may result in a loss of function, a reduced service life or in the destruction of the axial piston unit. Bosch Rexroth recommends testing the loads by means of experiment or calculation / simulation and comparison with the permissible values.

Determination of the characteristics

Flow	$q_v = \frac{V_g \times n \times \eta_v}{1000}$	[l/min]
Torque	$M = \frac{V_g \times \Delta p}{20 \times \pi \times \eta_{hm}}$	[Nm]
Power	$P = \frac{2 \pi \times M \times n}{60000} = \frac{q_v \times \Delta p}{600 \times \eta_t}$	[kW]

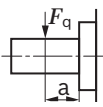
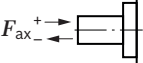
Key

V_g	Displacement per revolution [cm ³]
Δp	Differential pressure [bar]
n	Rotational speed [rpm]
η_v	Volumetric efficiency
η_{hm}	Hydraulic-mechanical efficiency
η_t	Total efficiency ($\eta_t = \eta_v \times \eta_{hm}$)

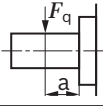
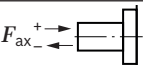
- The values are applicable:
 - for the optimum viscosity range from $\nu_{opt} = 36$ to 16 mm²/s
 - for hydraulic fluid based on mineral oils (for HF hydraulic fluids, observe the technical data in 90225)
- Valid for a suction pressure of 0.9 bar absolute. With a suction pressure of 0.8 bar absolute, the maximum permissible rotational speed is 3200 rpm, for the version without integrated boost pump, the speed limitation below 3300 rpm does not apply.
- Without boost pump
- The data are valid for values between the minimum required and maximum permissible rotational speed.
Valid for external excitation (e.g. diesel engine 2 to 8 times the rotary frequency; cardan shaft 2 times the rotary frequency).
The limit value is only valid for a single pump.
The load capacity of the connection parts must be considered.
- Weight may vary by equipment.

Permissible radial and axial loading of the drive shaft

▼ **Splined shaft ANSI B92.1a**

Size	NG		56	56	71	71	90	90	
Drive shaft		in	1 1/4	1 3/8	1 1/4	1 3/8	1 1/4	1 3/4	
Maximum radial force at distance a (from shaft collar)		$F_{q \max}$	N	4772	4338	6050	5500	7670	5478
		a	mm	24	24	24	24	24	33.5
Maximum axial force		$+ F_{ax \max}$	N	2910	2910	4242	4242	4330	4330
		$- F_{ax \max}$	N	1490	1490	2758	2758	2670	2670

▼ **Splined shaft DIN 5480**

Size	NG		56	71	90	
Drive shaft			W35	W35	W35	
Maximum radial force at distance a (from shaft collar)		$F_{q \max}$	N	4329	5489	6957
		a	mm	20	20	20
Maximum axial force		$+ F_{ax \max}$	N	2910	4242	4330
		$- F_{ax \max}$	N	1490	2758	2670

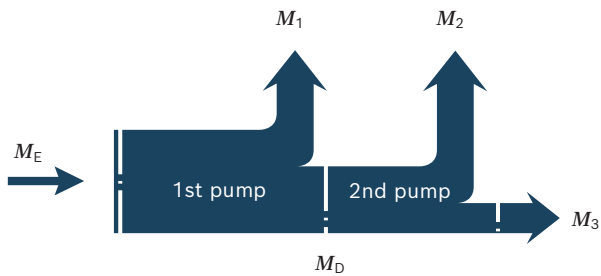
Notice

- ▶ The axial and radial loading generally influence the bearing service life.
- ▶ Special requirements apply in the case of belt drive and cardan shaft. Please contact us.

Permissible input and through-drive torques

Size	NG		56	71	90
Torque at $V_{g \max}$ and $\Delta p = 400 \text{ bar}^{1)}$	M	Nm	357	452	573
Maximum input torque on drive shaft ²⁾					
ANSI B92.1a-1976	S7 1 1/4 in	$M_{E \max}$	Nm	602	602 ³⁾
	V8 1 3/8 in	$M_{E \max}$	Nm	970	-
	T1 1 3/4 in	$M_{E \max}$	Nm	-	1640
DIN 5480	Z8 W35	$M_{E \max}$	Nm	912	912
Maximum through-drive torque	$M_{D \max}$	Nm	521	660	822

▼ **Distribution of torques**



Torque at 1st pump	M_1
Torque at 2nd pump	M_2
Torque at 3rd pump	M_3
Input torque	$M_E = M_1 + M_2 + M_3$
	$M_E < M_{E \max}$
Through-drive torque	$M_D = M_2 + M_3$
	$M_D < M_{D \max}$

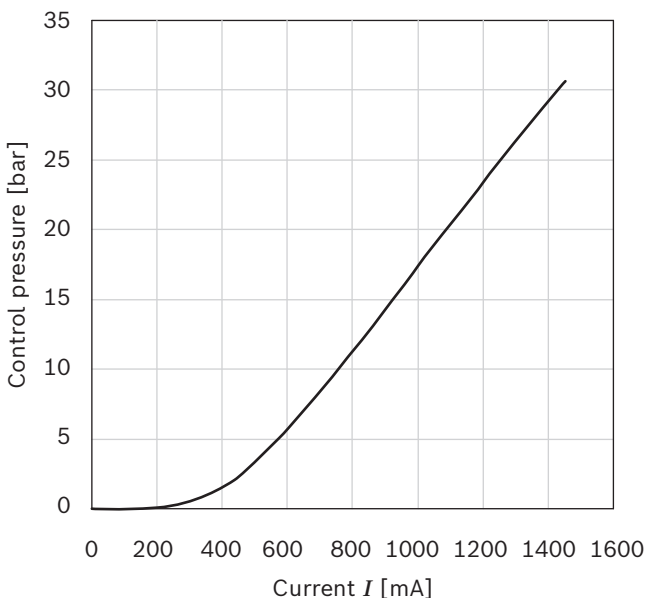
1) Efficiency not considered
 2) For drive shafts free of radial force
 3) Observe the maximum permissible input torque

ET – Electronic control, direct-operated

ETA/ETB – two pressure reducing valves; prepared for BODAS Software

The ETA/ETB control is optimized for electronic drives and is intended to be used together with BODAS Software. Here, all relevant configuration options have already been predefined and ensure an optimal interaction of pump and software thanks to the standardization. The pump function is largely determined by the software used.

The output flow of the pump is infinitely variable in the range between 0 and 100%. Depending on the preselected current I at solenoids **a** and **b** of the pressure reducing valves, the stroking cylinder of the pump is proportionally supplied with control pressure. The two control pressures X_1 and X_2 can be controlled independently. The pump displacement that arises at a certain control current is dependent on the rotational speed and working pressure of the pump. A different flow direction is associated with each pressure reducing valve. Maximum permissible control pressure: 30 bar.

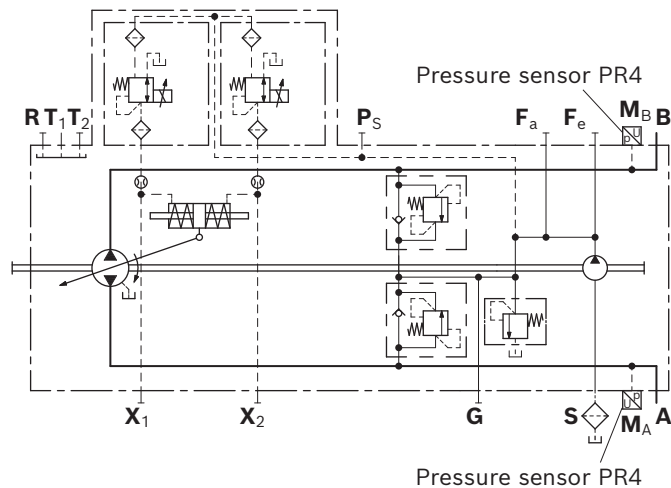


Technical data, pressure reducing valve ¹⁾	ETA	ETB
On-board voltage in the vehicle	12 V	24 V
Permissible voltage U	9.6 ... 28.8 V	
Current limit	1.45 A	
Nominal resistance (at 20°C)	4.05 Ω	
Dither		
Frequency	100 Hz	
Minimum oscillation range ²⁾	250 mA	
Duty cycle	100%	
Type of protection: see connector version page 32		

Notice

All control-relevant data are already stored in the software.

▼ Circuit diagram



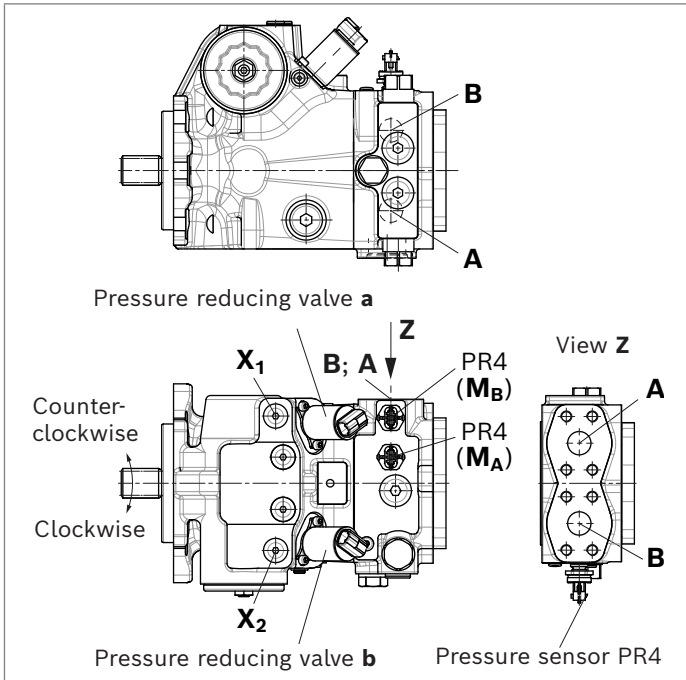
1) For further information on the pressure reducing valve, see data sheet 64659.

Notice: The leakage flow and the control flow differ from the parameter in data sheet 64659.

2) Minimum required oscillation range of the control current ΔI_{p-p} (peak to peak) within the respective control range (start of control to end of control).

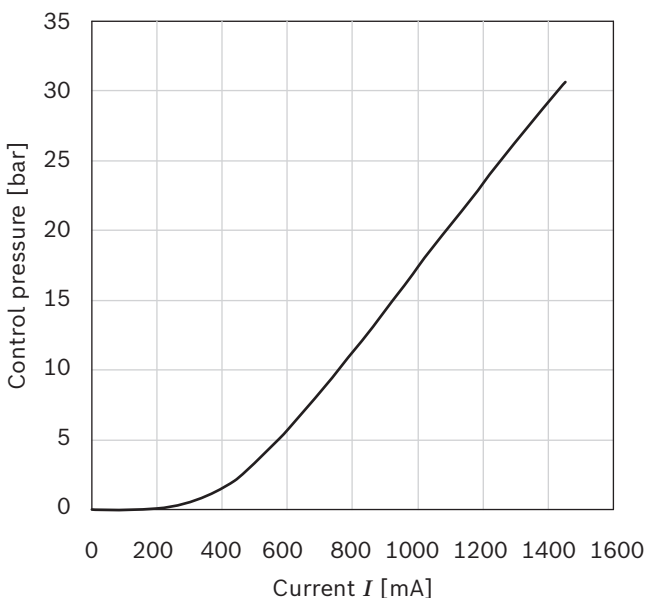
Correlation of direction of rotation, control and flow direction				
Direction of rotation	Clockwise		Counter-clockwise	
	a	b	a	b
Actuation of pressure reducing valve				
Control pressure	X ₁	X ₂	X ₁	X ₂
Flow direction	A to B	B to A	B to A	A to B
Working pressure	M _B	M _A	M _A	M _B

▼ **Position of ports (example)**



ET1/ ET2 – two pressure reducing valves

The output flow of the pump is infinitely variable in the range between 0 and 100%. Depending on the preselected current I at solenoids **a** and **b** of the pressure reducing valves, the stroking cylinder of the pump is proportionally supplied with control pressure. The two control pressures X_1 and X_2 can be controlled independently. The pump displacement that arises at a certain control current is dependent on the rotational speed and working pressure of the pump. A different flow direction is associated with each pressure reducing valve. Maximum permissible control pressure: 30 bar.

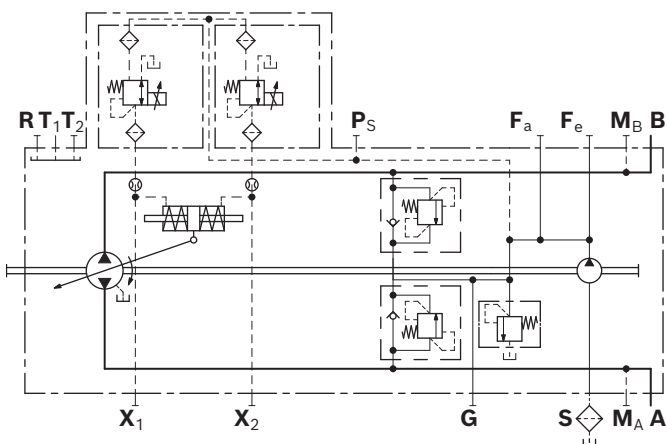


Technical data, pressure reducing valve ¹⁾	ET1	ET2
On-board voltage in the vehicle	12 V	24 V
Permissible voltage U	9.6 to 28.8 V	
Current limit	1.45 A	
Nominal resistance (at 20°C)	4.05 Ω	
Dither		
Frequency	100 Hz	
Minimum oscillation range ²⁾	250 mA	
Duty cycle	100%	
Type of protection: see connector version page 32		

1) For further information on the pressure reducing valve, see data sheet 64659.

Notice: The leakage flow and the control flow differ from the parameter in data sheet 64659.

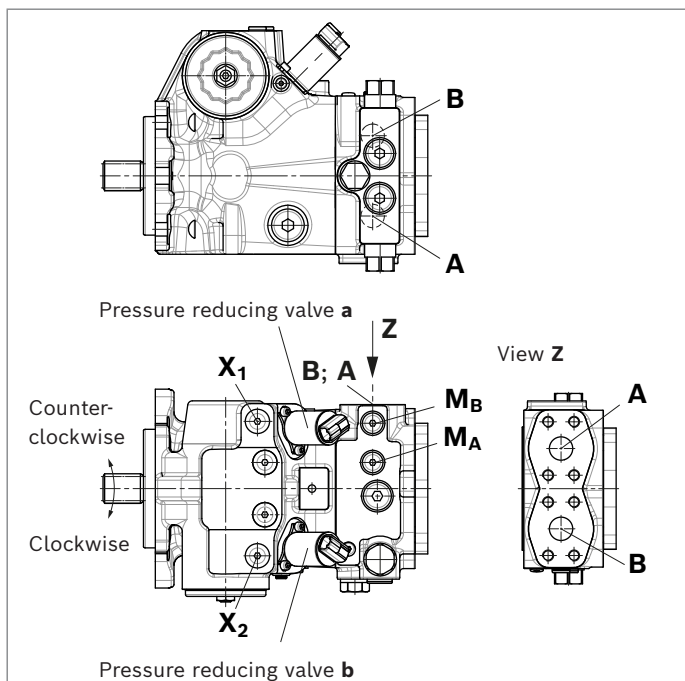
▼ Circuit diagram



Correlation of direction of rotation, control and flow direction

Direction of rotation	Clockwise		Counter-clockwise	
Actuation of pressure reducing valve	a	b	a	b
Control pressure	X_1	X_2	X_1	X_2
Flow direction	A to B	B to A	B to A	A to B
Working pressure	M_B	M_A	M_A	M_B

▼ Position of ports (example)

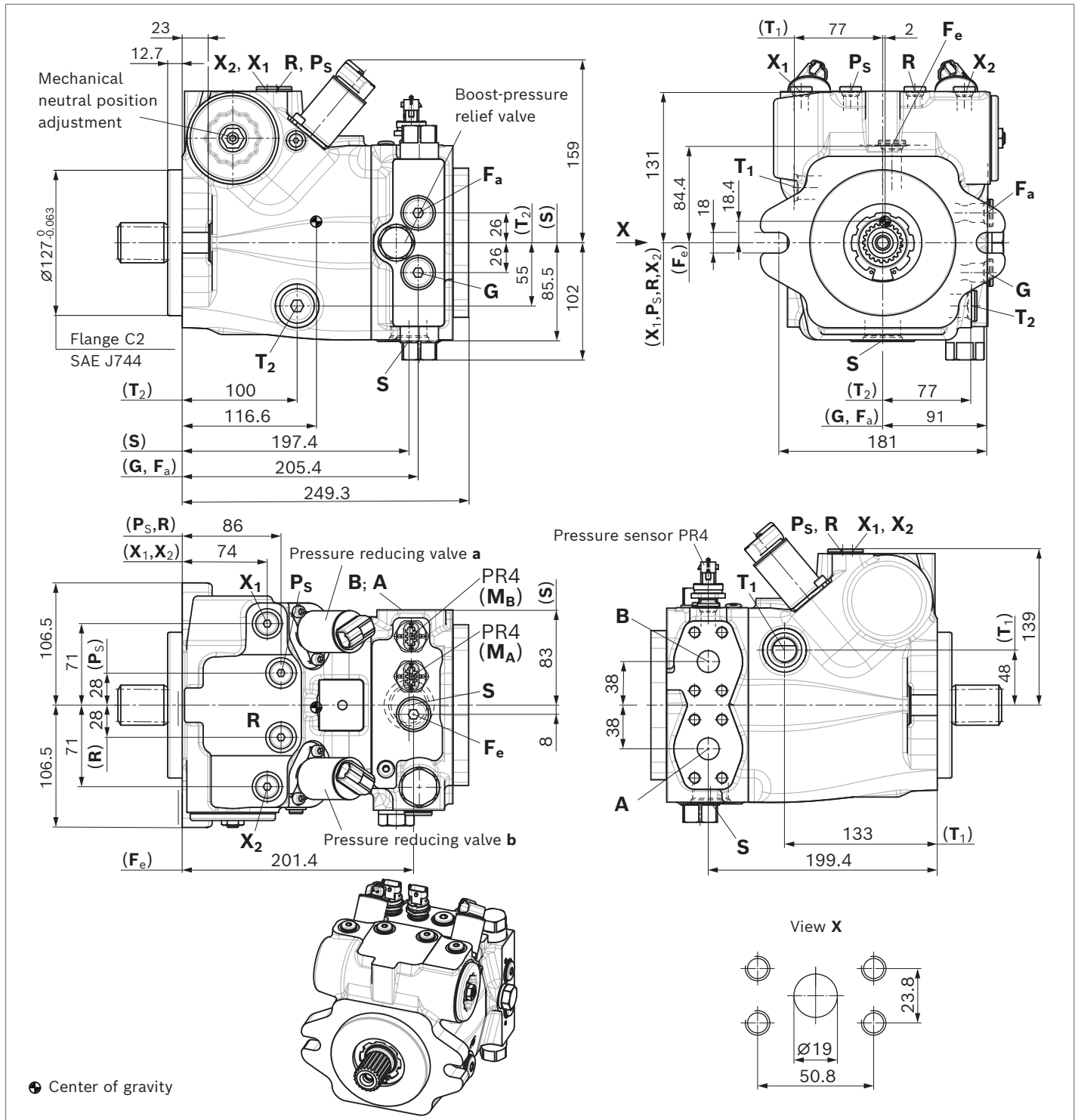


2) Minimum required oscillation range of the control current ΔI_{p-p} (peak to peak) within the respective control range (start of control to end of control).

Dimensions, size 56

ETA/ETB – Electronic control, direct-operated, prepared for BODAS Software

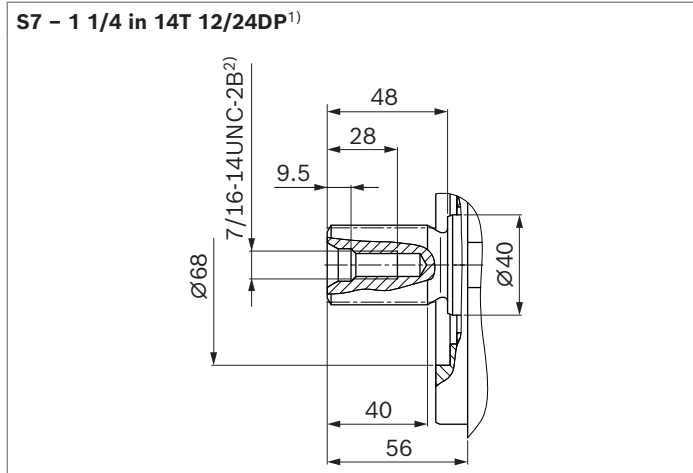
Standard: Working port **A** and **B**, same side left, suction port **S** bottom (20)



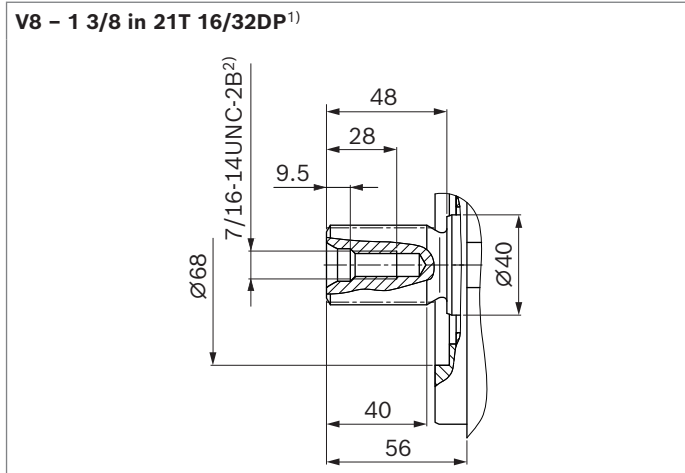
Notice

Option: Working port **A** and **B**, same side right, suction port **S** bottom (21), installation drawing on request

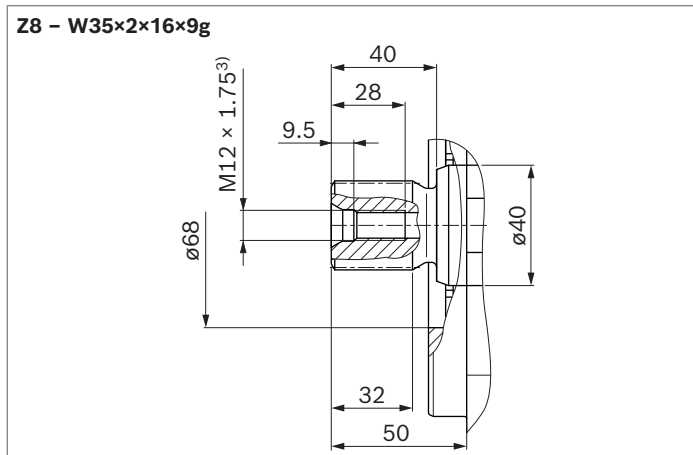
▼ **Splined shaft ANSI B92.1a**



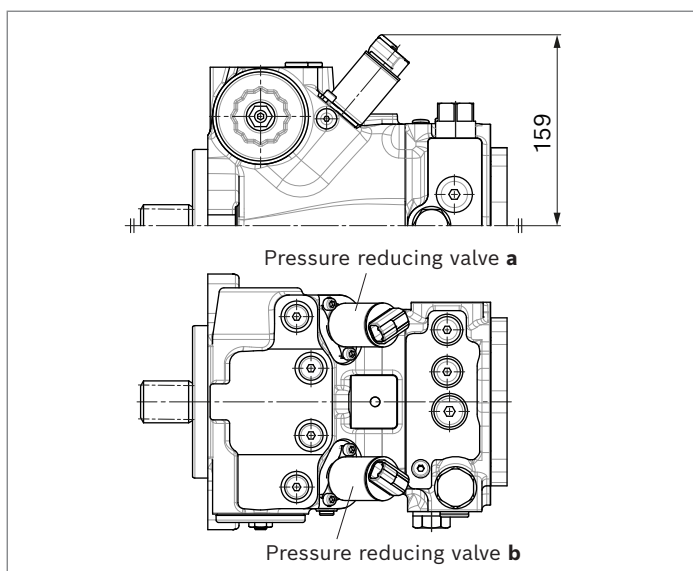
▼ **Splined shaft ANSI B92.1a**



▼ **Splined shaft DIN 5480**



▼ **ET1/ET2 – Electronic control, direct-operated**



- 1) Involute spline according to ANSI B92.1a, 30° pressure angle, flat root, side fit, tolerance class 5
- 2) Thread according to ASME B1.1
- 3) Center bore according to DIN 332 (thread according to DIN 13)

Ports version "M", metric		Standard	Size	p_{\max} [bar] ⁴⁾	State ¹¹⁾
A, B	Working port	ISO 6162-2 ⁵⁾	P19M	530	O
	Fastening thread	DIN 13	M10 × 1.5; 17 deep		
S	Suction port	ISO 6149	M33 × 2; 22 deep	5	O ⁶⁾
T₁	Drain port	ISO 6149	M22 × 1.5; 15.5 deep	3	O ⁷⁾
T₂	Drain port	ISO 6149	M22 × 1.5; 15.5 deep	3	X ⁷⁾
R	Air bleed port	ISO 6149	M14 × 1.5; 11.5 deep	3	X
X₁, X₂	Control pressure port	ISO 6149	M14 × 1.5; 11.5 deep	30	X
G	Boost pressure port inlet	ISO 6149	M18 × 1.5; 14.5 deep	30	X
P_S	Pilot pressure port	ISO 6149	M14 × 1.5; 11.5 deep	30	X
M_A, M_B	Measuring port, pressure A, B	ISO 6149	M14 × 1.5; 11.5 deep	530	X ⁸⁾
F_a	Boost pressure port inlet	ISO 6149	M18 × 1.5; 14.5 deep	30	X ⁹⁾
F_e	Boost pressure port output	ISO 6149	M18 × 1.5; 14.5 deep	30	X ⁹⁾

Ports version "D", ANSI, metric fastening thread		Standard	Size	p_{\max} [bar] ⁴⁾	State ¹¹⁾
A, B	Working port	ISO 6162-2 ⁵⁾	P19M	530	O
	Fastening thread	DIN 13	M10 × 1.5; 17 deep		
S	Suction port	ISO 11926	1 5/16 in -12 UN-2B; 20 deep	5	O ⁶⁾
T₁	Drain port	ISO 11926	7/8 in -14 UNF-2B; 17 deep	3	O ⁷⁾
T₂	Drain port	ISO 11926	7/8 in -14 UNF-2B; 17 deep	3	X ⁷⁾
R	Air bleed port	ISO 11926	9/16 in -18 UNF-2B; 13 deep	3	X
X₁, X₂	Control pressure port	ISO 11926	9/16 in -18 UNF-2B; 13 deep	30	X
G	Boost pressure port inlet	ISO 11926 ¹⁰⁾	3/4 in -16 UNF-2B; 15 deep	30	X
P_S	Pilot pressure port	ISO 11926	9/16 in -18 UNF-2B; 13 deep	30	X
M_A, M_B	Measuring port, pressure A, B	ISO 6149	M14 x 1.5; 11.5 deep	530	X ⁸⁾
F_a	Boost pressure port inlet	ISO 11926 ¹⁰⁾	3/4 in -16 UNF-2B; 15 deep	30	X ⁹⁾
F_e	Boost pressure port output	ISO 11926	3/4 in -16 UNF-2B; 15 deep	30	X ⁹⁾

4) Depending on the application, momentary pressure peaks can occur.

Keep this in mind when selecting measuring devices and fittings.

5) Only dimensions according to ISO 6162-2, diameter in detail X is a deviation from the standard.

6) Plugged for external boost pressure supply.

7) Depending on installation position, **T₁** or **T₂** must be connected (see also installation instructions on page 36).8) Pressure sensor mounted or **M_A**, **M_B** plugged.

9) Must be connected for filtration in the pressure line.

10) Ports designed for straight stud ends according to ISO 11926-3 (Light-duty).

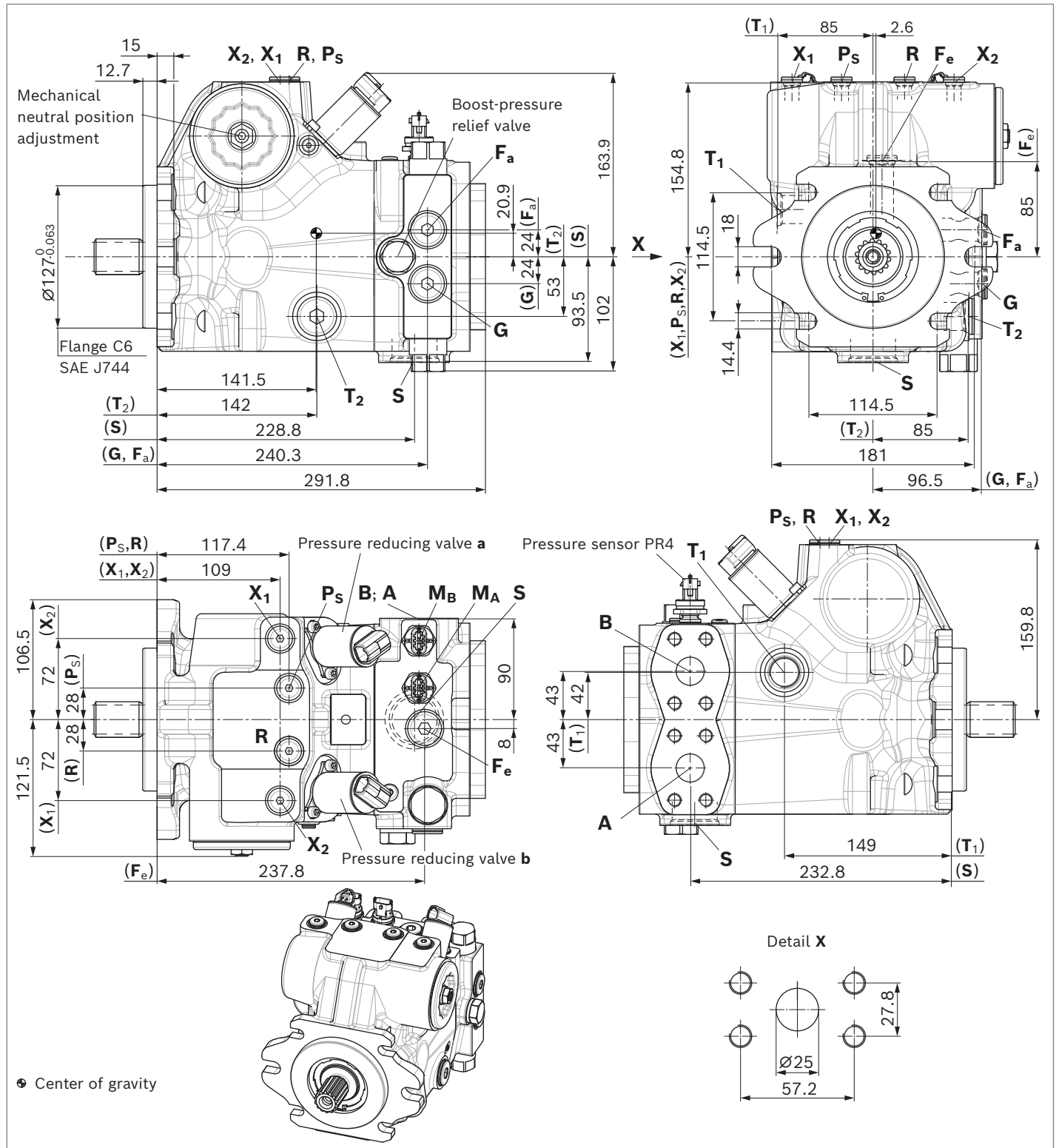
11) O = Must be connected (plugged on delivery)

X = Plugged (in normal operation)

Dimensions, size 71

ETA/ETB – Electronic control, direct-operated, prepared for BODAS Software

Standard: Working port **A** and **B**, same side left, suction port **S** bottom (20)

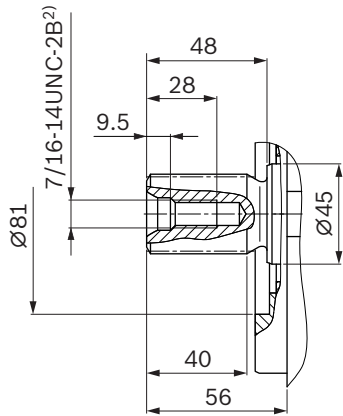


Notice

Option: Working port **A** and **B**, same side right, suction port **S** bottom (21), installation drawing on request

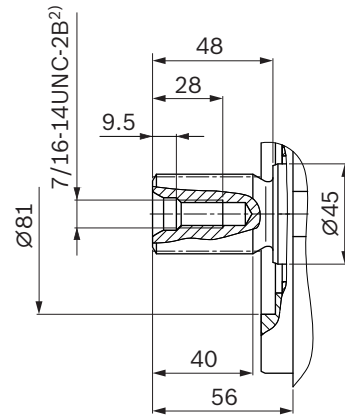
▼ **Splined shaft ANSI B92.1a**

S7 – 1 1/4 in 14T 12/24DP¹⁾



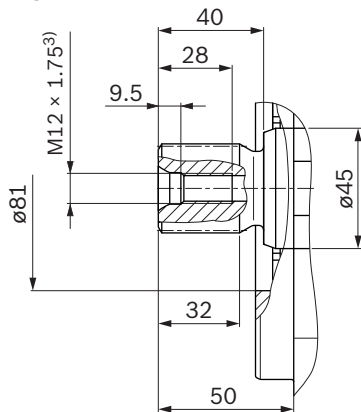
▼ **Splined shaft ANSI B92.1a**

V8 – 1 3/8 in 21T 16/32DP¹⁾

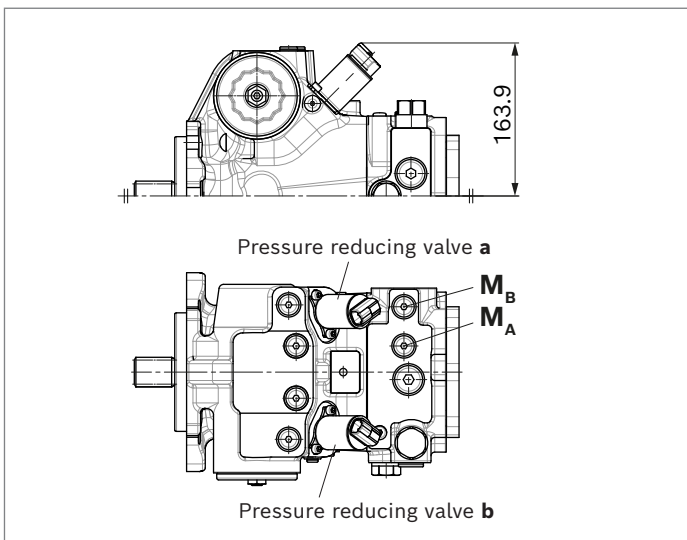


▼ **Splined shaft DIN 5480**

Z8 – W35×2×16×9g



▼ **ET1/ET2 – Electronic control, direct-operated**



- 1) Involute spline according to ANSI B92.1a, 30° pressure angle, flat root, side fit, tolerance class 5
- 2) Thread according to ASME B1.1
- 3) Center bore according to DIN 332 (thread according to DIN 13)

Ports version "M", metric		Standard	Size	p_{\max} [bar] ⁴⁾	State ¹⁰⁾
A, B	Working port	ISO 6162-2 ⁵⁾	P25M	530	O
	Fastening thread	DIN 13	M12 × 1.75; 23 deep		
S	Suction port	ISO 6149	M42 × 2; 20 deep	5	O ⁶⁾
T₁	Drain port	ISO 6149	M27 × 2; 19 deep	3	O ⁷⁾
T₂	Drain port	ISO 6149	M27 × 2; 19 deep	3	X ⁷⁾
R	Air bleed port	ISO 6149	M14 × 1.5; 11.5 deep	3	X
X₁, X₂	Control pressure port	ISO 6149	M14 × 1.5; 11.5 deep	30	X
G	Boost pressure port inlet	ISO 6149	M22 × 1.5; 15.5 deep	30	X
P_S	Pilot pressure port	ISO 6149	M14 × 1.5; 11.5 deep	30	X
M_A, M_B	Measuring port, pressure A, B	ISO 6149	M14 × 1.5; 11.5 deep	530	X ⁸⁾
F_a	Boost pressure port inlet	ISO 6149	M22 × 1.5; 15.5 deep	30	X ⁹⁾
F_e	Boost pressure port output	ISO 6149	M22 × 1.5; 15.5 deep	30	X ⁹⁾

Ports version "D", ANSI, metric fastening thread		Standard	Size	p_{\max} [bar] ⁴⁾	State ¹⁰⁾
A, B	Working port	ISO 6162-2 ⁵⁾	P25M	530	O
	Fastening thread	DIN 13	M12 × 1.75; 23 deep		
S	Suction port	ISO 11926	1 5/8 in -12 UN-2B; 20 deep	5	O ⁶⁾
T₁	Drain port	ISO 11926	1 1/16 in -12 UN-2B; 20 deep	3	O ⁷⁾
T₂	Drain port	ISO 11926	1 1/16 in -12 UN-2B; 20 deep	3	X ⁷⁾
R	Air bleed port	ISO 11926	9/16 in -18 UNF-2B; 13 deep	3	X
X₁, X₂	Control pressure port	ISO 11926	9/16 in -18 UNF-2B; 13 deep	30	X
G	Boost pressure port inlet	ISO 11926 ¹⁰⁾	7/8 in -14 UNF-2B; 17 deep	30	X
P_S	Pilot pressure port	ISO 11926	9/16 in -18 UNF-2B; 13 deep	30	X
M_A, M_B	Measuring port, pressure A, B	ISO 6149	M14 × 1.5; 11.5 deep	530	X ⁸⁾
F_a	Boost pressure port inlet	ISO 11926 ¹⁰⁾	7/8 in -14 UNF-2B; 17 deep	30	X ⁹⁾
F_e	Boost pressure port output	ISO 11926	7/8 in -14 UNF-2B; 17 deep	30	X ⁹⁾

4) Depending on the application, momentary pressure peaks can occur. Keep this in mind when selecting measuring devices and fittings.

5) Only dimensions according to ISO 6162-2, diameter in detail X is a deviation from the standard.

6) Plugged for external boost pressure supply.

7) Depending on installation position, **T₁** or **T₂** must be connected (see also installation instructions on page 36).

8) Pressure sensor mounted or **M_A, M_B** plugged.

9) Must be connected for filtration in the pressure line.

10) Ports designed for straight stud ends according to ISO 11926-3 (Light-duty).

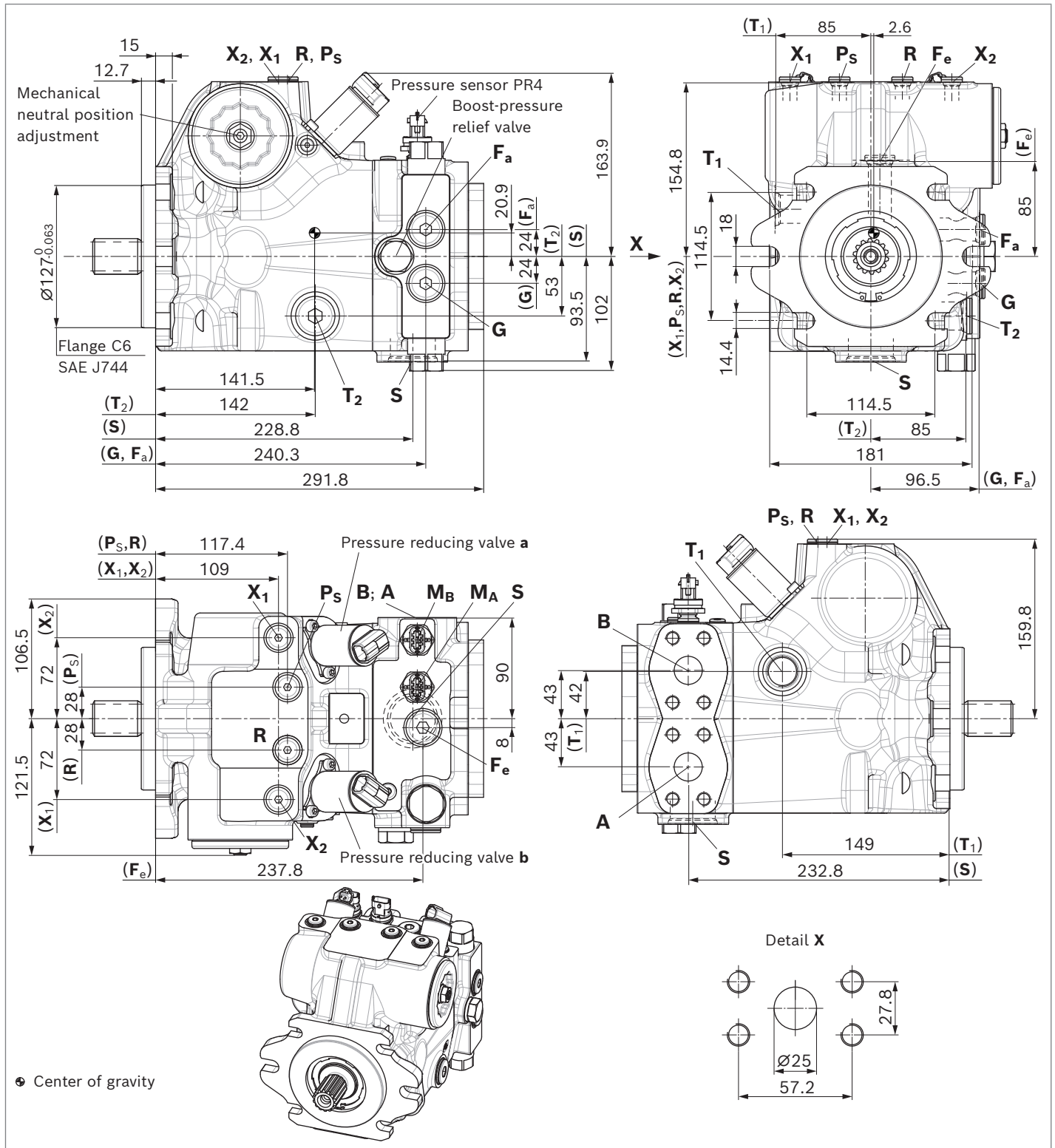
11) O = Must be connected (plugged on delivery)

X = Plugged (in normal operation)

Dimensions, size 90

ETA/ETB – Electronic control, direct-operated, prepared for BODAS Software

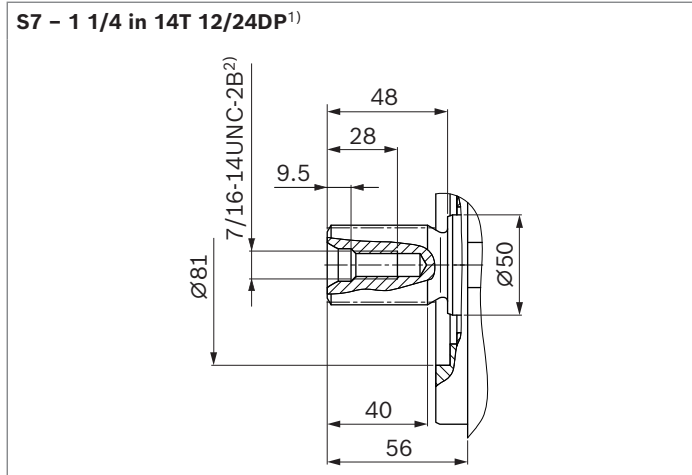
Standard: Working port **A** and **B**, same side left, suction port **S** bottom (20)



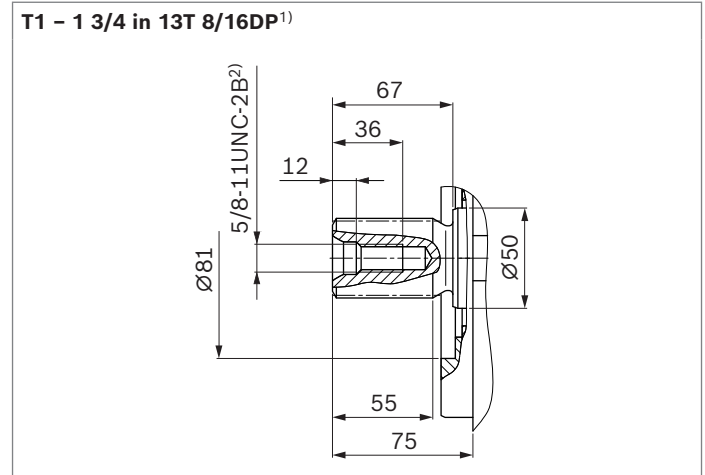
Notice

Option: Working port **A** and **B**, same side right, suction port **S** bottom (21), installation drawing on request

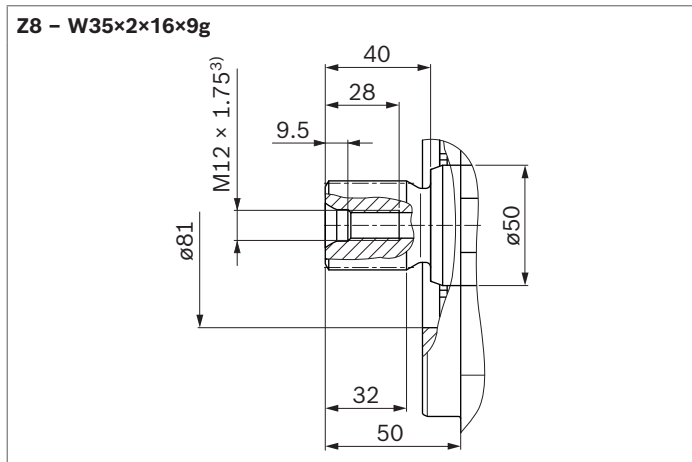
▼ **Splined shaft ANSI B92.1a**



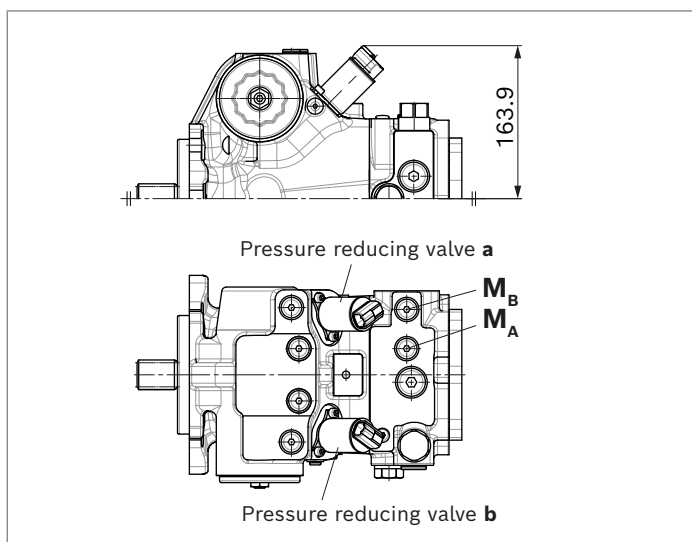
▼ **Splined shaft ANSI B92.1a**



▼ **Splined shaft DIN 5480**



▼ **ET1/ET2 – Electronic control, direct-operated**



- 1) Involute spline according to ANSI B92.1a, 30° pressure angle, flat root, side fit, tolerance class 5
- 2) Thread according to ASME B1.1
- 3) Center bore according to DIN 332 (thread according to DIN 13)

Ports version "M", metric		Standard	Size	p_{\max} [bar] ⁴⁾	State ¹⁰⁾
A, B	Working port	ISO 6162-2 ⁵⁾	P25M	530	O
	Fastening thread	DIN 13	M12 × 1.75; 23 deep		
S	Suction port	ISO 6149	M42 × 2; 20 deep	5	O ⁶⁾
T₁	Drain port	ISO 6149	M27 × 2; 19 deep	3	O ⁷⁾
T₂	Drain port	ISO 6149	M27 × 2; 19 deep	3	X ⁷⁾
R	Air bleed port	ISO 6149	M14 × 1.5; 11.5 deep	3	X
X₁, X₂	Control pressure port	ISO 6149	M14 × 1.5; 11.5 deep	30	X
G	Boost pressure port inlet	ISO 6149	M22 × 1.5; 15.5 deep	30	X
P_S	Pilot pressure port	ISO 6149	M14 × 1.5; 11.5 deep	30	X
M_A, M_B	Measuring port, pressure A, B	ISO 6149	M14 × 1.5; 11.5 deep	530	X ⁸⁾
F_a	Boost pressure port inlet	ISO 6149	M22 × 1.5; 15.5 deep	30	X ⁹⁾
F_e	Boost pressure port output	ISO 6149	M22 × 1.5; 15.5 deep	30	X ⁹⁾

Ports version "D", ANSI, metric fastening thread		Standard	Size	p_{\max} [bar] ⁴⁾	State ¹⁰⁾
A, B	Working port	ISO 6162-2 ⁵⁾	P25M	530	O
	Fastening thread	DIN 13	M12 x 1.75; 23 deep		
S	Suction port	ISO 11926	1 5/8 in -12 UN-2B; 20 deep	5	O ⁶⁾
T₁	Drain port	ISO 11926	1 1/16 in -12 UN-2B; 20 deep	3	O ⁷⁾
T₂	Drain port	ISO 11926	1 1/16 in -12 UN-2B; 20 deep	3	X ⁷⁾
R	Air bleed port	ISO 11926	9/16 in -18 UNF-2B; 13 deep	3	X
X₁, X₂	Control pressure port	ISO 11926	9/16 in -18 UNF-2B; 13 deep	30	X
G	Boost pressure port inlet	ISO 11926 ¹⁰⁾	7/8 in -14 UNF-2B; 17 deep	30	X
P_S	Pilot pressure port	ISO 11926	9/16 in -18 UNF-2B; 13 deep	30	X
M_A, M_B	Measuring port, pressure A, B	ISO 6149	M14 x 1.5; 11.5 deep	530	X ⁸⁾
F_a	Boost pressure port inlet	ISO 11926 ¹⁰⁾	7/8 in -14 UNF-2B; 17 deep	30	X ⁹⁾
F_e	Boost pressure port output	ISO 11926	7/8 in -14 UNF-2B; 17 deep	30	X ⁹⁾

4) Depending on the application, momentary pressure peaks can occur.

Keep this in mind when selecting measuring devices and fittings.

5) Only dimensions according to ISO 6162-2, diameter in detail X is a deviation from the standard.

6) Plugged for external boost pressure supply.

7) Depending on installation position, **T₁** or **T₂** must be connected (see also installation instructions on page 36).8) Pressure sensor mounted or **M_A**, **M_B** plugged.

9) Must be connected for filtration in the pressure line.

10) Ports designed for straight stud ends according to ISO 11926-3 (Light-duty).

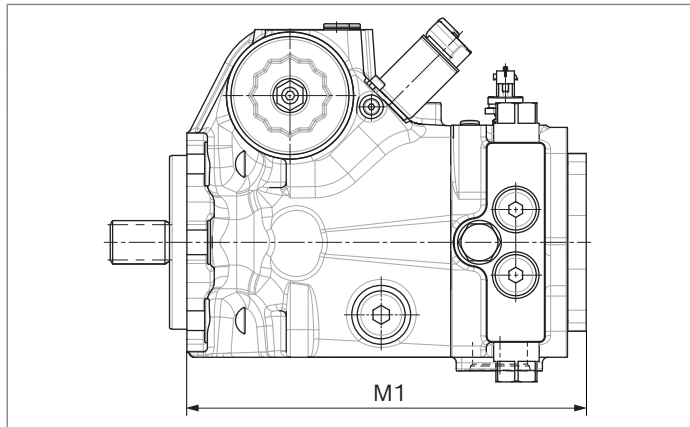
11) O = Must be connected (plugged on delivery)

X = Plugged (in normal operation)

Dimensions, through-drive

Flange SAE J744 ¹⁾		Hub for splined shaft ²⁾				56	71	90	
Diameter	Mounting ³⁾	Code	Diameter		Code				
Without through drive									
82-2 (A)	ø	A1	5/8 in	9T 16/32DP	S2	•	•	•	0000
	ø	A2	5/8 in	9T 16/32DP	S2	•	•	•	A1S2
	∞	A2	5/8 in	9T 16/32DP	S2	•	•	•	A2S2

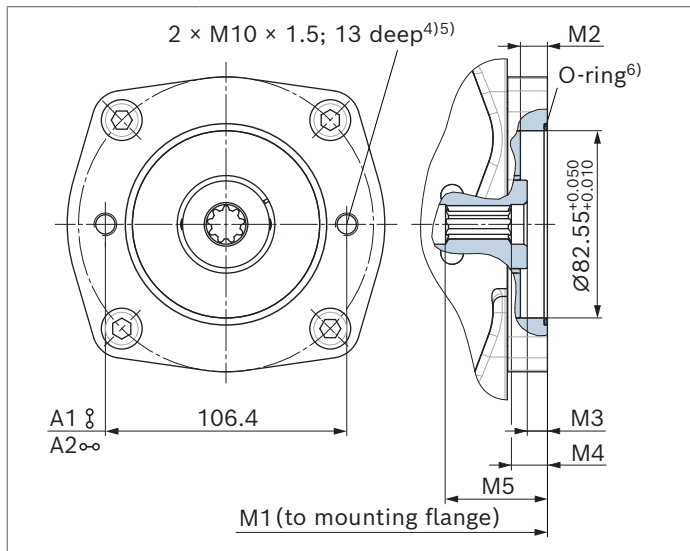
▼ Without through drive



NG	M1
56	249.3
71	291.8
90	291.8

▼ A1S2, A2S2 (with boost pump)

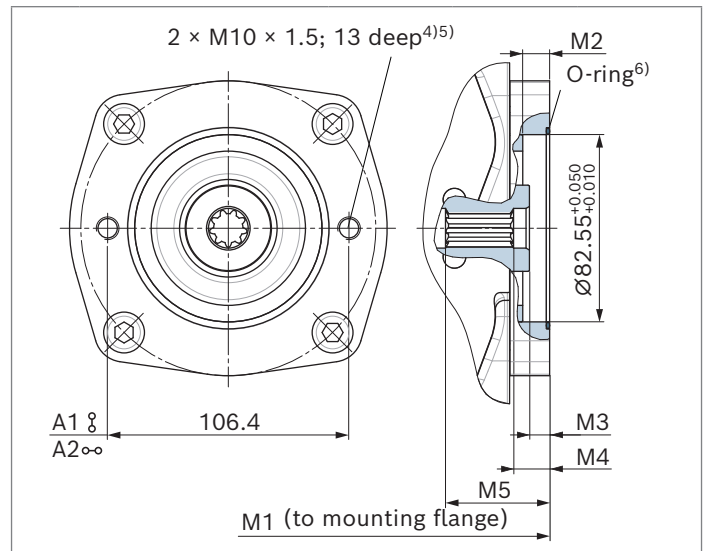
Flange SAE J744: 82-2 (A)
Hub for splined shaft 5/8 in 9T 16/32DP²⁾



NG	M1	M2	M3	M4	M5
56	253.3	11.9	8.9	15.9	44.9
71	295.8	11.9	8.4	15.4	45.2
90	295.8	11.9	8.4	8.4	32.1

▼ A1S2, A2S2 (without boost pump)

Flange SAE J744: 82-2 (A)
Hub for splined shaft 5/8 in 9T 16/32DP²⁾



NG	M1	M2	M3	M4	M5
56	253.3	11.85	8.9	15.9	44.9
71	295.8	11.85	8.4	15.6	45.2
90	295.8	11.85	8.4	8.4	32.1

- The through-drive flange is only supplied with a metric fastening thread.
- Involute spline of the splined shaft in accordance with ANSI B92.1a, 30° pressure angle, flat root, side fit, tolerance class 5. Design for connecting overview according to SAE J744.

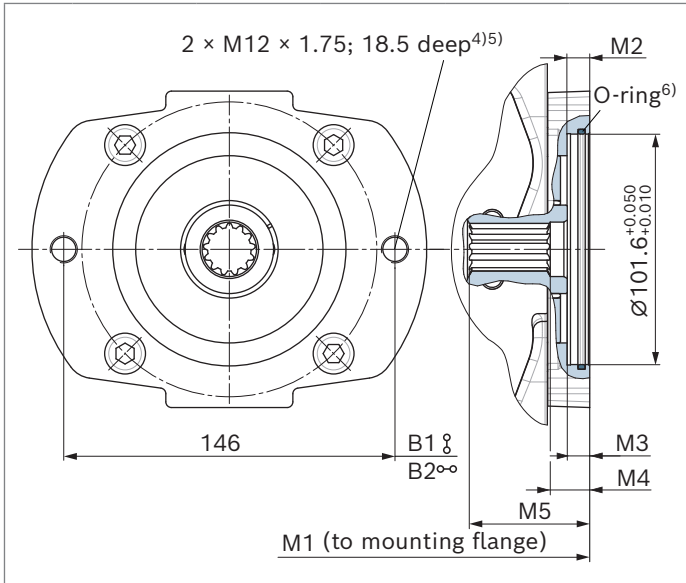
- Mounting holes pattern viewed on through drive with control at top
- Thread according to DIN 13
- Design according to VDI 2230 with $\mu = 0.1$ for screw quality 8.8 according to ISO 898-1
- O-ring included in the scope of delivery

Flange SAE J744 ¹⁾			Hub for splined shaft ²⁾			56	71	90	
Diameter	Mounting ³⁾	Code	Diameter		Code				
101-2 (B)	ø	B1	7/8 in	13T 16/32DP	S4	●	●	●	B1S4
		B1	1 in	15T 16/32DP	S5	●	●	●	B1S5
	∞	B2	7/8 in	13T 16/32DP	S4	●	●	●	B2S4
		B2	1 in	15T 16/32DP	S5	●	●	●	B2S5

▼ **B1S4, B2S4 (with boost pump)**

Flange SAE J744: 101-2 (B)

Hub for splined shaft 7/8 in 13T 16/32DP²⁾

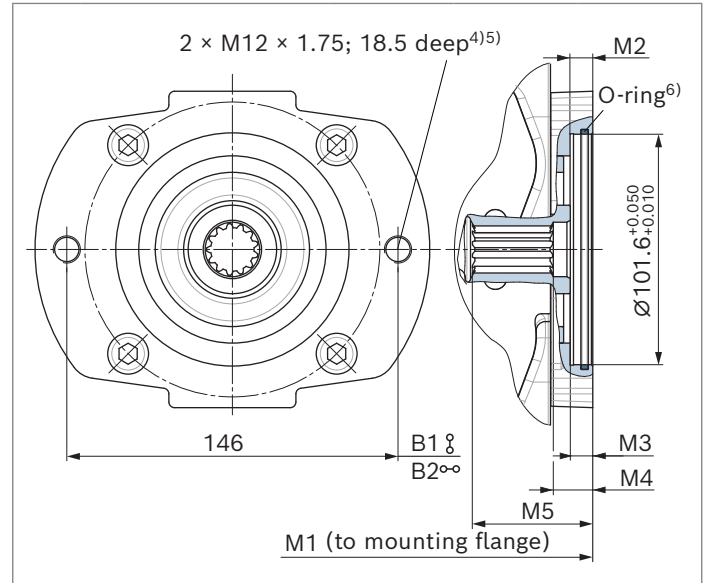


NG	M1	M2	M3	M4	M5
56	254.3	12.9	9.9	17.4	53.9
71	296.8	10	8.4	14.9	38.4
90	296.8	10	9	15	43

▼ **B1S4, B2S4 (without boost pump)**

Flange SAE J744: 101-2 (B)

Hub for splined shaft 7/8 in 13T 16/32DP²⁾



NG	M1	M2	M3	M4	M5
56	254.3	10	9.9	17.4	52
71	296.8	10	8.9	11.9	38.9
90	296.8	10	9	15	43

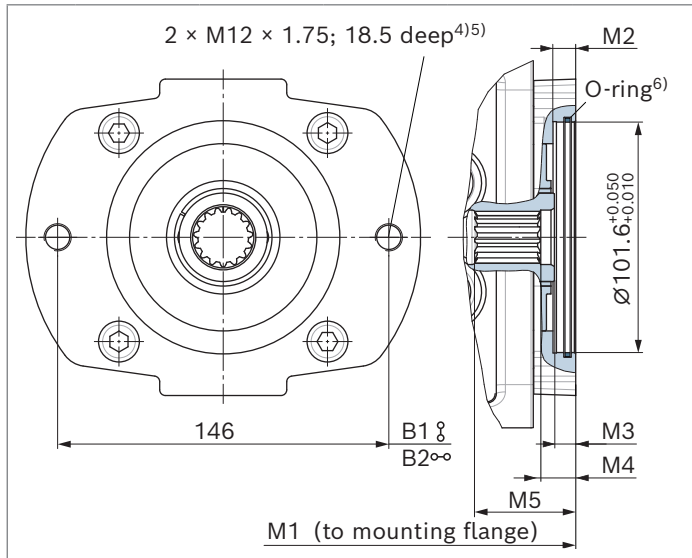
- 1) The through-drive flange is only supplied with a metric fastening thread.
- 2) Involute spline of the splined shaft in accordance with ANSI B92.1a, 30° pressure angle, flat root, side fit, tolerance class 5. Design for connecting overview according to SAE J744.
- 3) Mounting holes pattern viewed on through drive with control at top
- 4) Thread according to DIN 13
- 5) Design according to VDI 2230 with $\mu = 0.1$ for screw quality 8.8 according to ISO 898-1
- 6) O-ring included in the scope of delivery

Flange SAE J744 ¹⁾			Hub for splined shaft ²⁾			56	71	90	
Diameter	Mounting ³⁾	Code	Diameter		Code				
101-2 (B)	⌀	B1	7/8 in	13T 16/32DP	S4	●	●	●	B1S4
		B1	1 in	15T 16/32DP	S5	●	●	●	B1S5
∞	∞	B2	7/8 in	13T 16/32DP	S4	●	●	●	B2S4
		B2	1 in	15T 16/32DP	S5	●	●	●	B2S5

▼ **B1S5, B2S5 (with boost pump)**

Flange SAE J744: 101-2 (B)

Hub for splined shaft 1 in 15T 16/32DP²⁾

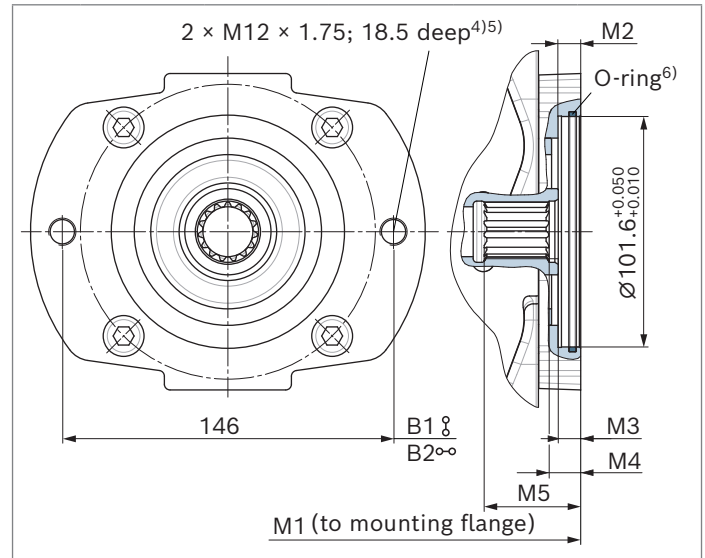


NG	M1	M2	M3	M4	M5
56	254.3	10	9.9	17.9	41.9
71	296.8	10	8.4	14.4	50.4
90	296.8	10	9	14	49

▼ **B1S5, B2S5 (without boost pump)**

Flange SAE J744: 101-2 (B)

Hub for splined shaft 1 in 15T 16/32DP²⁾



NG	M1	M2	M3	M4	M5
56	254.3	10	9.9	13.9	41.4
71	296.8	10	8.4	14.4	50.4
90	296.8	10	9	14	49

1) The through-drive flange is only supplied with a metric fastening thread.

2) Involute spline of the splined shaft in accordance with ANSI B92.1a, 30° pressure angle, flat root, side fit, tolerance class 5. Design for connecting overview according to SAE J744.

3) Mounting holes pattern viewed on through drive with control at top

4) Thread according to DIN 13

5) Design according to VDI 2230 with $\mu = 0.1$ for screw quality 8.8 according to ISO 898-1

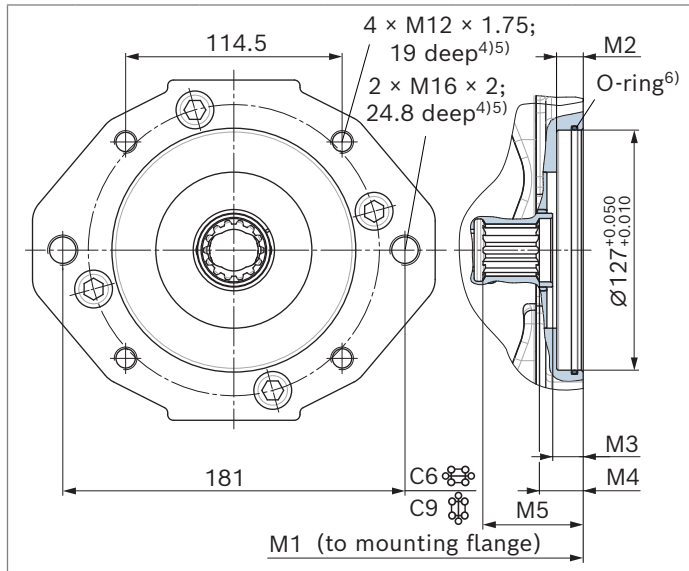
6) O-ring included in the scope of delivery

Flange SAE J744 ¹⁾		Hub for splined shaft ²⁾			56	71	90	
Diameter	Mounting ³⁾	Code	Diameter	Code				
127-2/4 (C)		C6	1 1/4 in 14T 12/24DP	S7	•	•	•	C6S7
		C9	1 1/4 in 14T 12/24DP	S7	•	•	•	C9S7

▼ **C6S7, C9S7³⁾ (with boost pump)**

Flange SAE J744: 127-2/4 (C)

Hub for splined shaft 1 1/4 in 14T 12/24DP²⁾

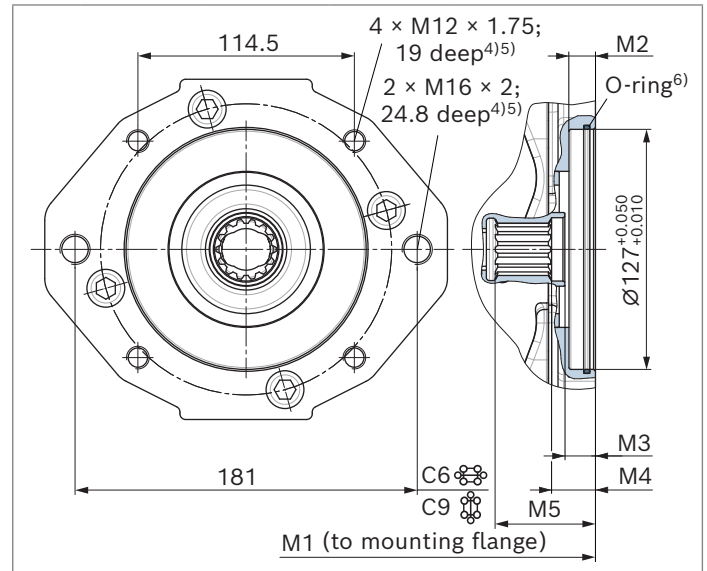


NG	M1	M2	M3	M4	M5
56	260.6	14	16.2	23.2	51.7
71	303.1	14	14.7	21.2	54.7
90	303.1	14	13.7	16.2	51.2

▼ **C6S7, C9S7³⁾ (without boost pump)**

Flange SAE J744: 127-2/4 (C)

Hub for splined shaft 1 1/4 in 14T 12/24DP²⁾



NG	M1	M2	M3	M4	M5
56	260.6	14	16.2	23.2	51.7
71	303.1	14	15.2	21.7	55.2
90	303.1	14	13.7	16.7	49.5

- 1) The through-drive flange is only supplied with a metric fastening thread.
- 2) Involute spline of the splined shaft in accordance with ANSI B92.1a, 30° pressure angle, flat root, side fit, tolerance class 5. Design for connecting overview according to SAE J744.
- 3) Mounting holes pattern viewed on through drive with control at top
- 4) Thread according to DIN 13
- 5) Design according to VDI 2230 with $\mu = 0.1$ for screw quality 8.8 according to ISO 898-1
- 6) O-ring included in the scope of delivery

Overview of mounting options

Through drive ¹⁾			Mounting options – 2nd pump			
Flange	Hub for splined shaft	Code	A4VG/35 NG (shaft)	A4VG/32 NG (shaft)	A10VG/10 NG (shaft)	External gear pump ²⁾
82-2 (A)	5/8 in	A_S2	–	–	–	AZPF, AZPS NG4 ... 28, AZPW NG5 ... 22
101-2 (B)	7/8 in	B_S4	–	–	18 (S)	AZPN-11 NG20 ... 25, AZPG-22 NG28 ... 100
	1 in	B_S5	–	28 (S)	28, 45 (S)	–
127-2 (C)	1 1/4 in	C_S7	56, 71, 90 (S7) ³⁾	40, 56, 71 (S)	63 (S)	–
127-4 (C)	1 1/4 in	C_S7	71, 90 (S7) ³⁾	71 (S)	–	–

Through drive ¹⁾			Mounting options – 2nd pump				
Flange	Hub for splined shaft	Code	A10V(S)O/31 NG (shaft)	A10VO/32 NG (shaft)	A10V(S)O/5x NG (shaft)	A11VO/1x NG (shaft)	A1VO/10 NG (shaft)
82-2 (A)	5/8 in	A_S2	–	–	10, 18 (U)	–	–
101-2 (B)	7/8 in	B_S4	28 (S) 45 (U)	45 (U)	28 (S) 45 (U)	–	35 (S4)
	1 in	B_S5	45 (S)	45 (S)	45 (S) 60, 63, 72 (U)	40 (S)	35 (S5)
127-2 (C)	1 1/4 in	C_S7	71, 88 (S) 100 (U)	71 (S) 100 (U)	85, 100 (U)	–	–
127-4 (C)	1 1/4 in	C_S7	–	71 (S)	60, 63, 72 (S) 85, 100 (U)	60 (S)	–

Notice

The mounting options listed only apply for drive shaft versions with undercut. Please contact us for drive shafts without undercut.

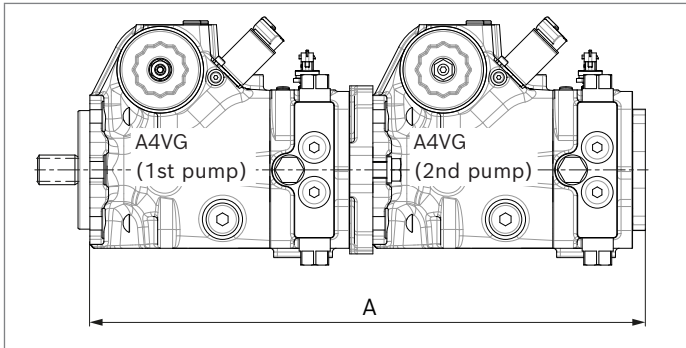
1) Availability of the individual sizes, see type code on page 3.

2) Bosch Rexroth recommends special versions of the gear pumps. Please contact us.

3) Observe the maximum permissible input torque

Combination pumps A4VG + A4VG**Total length A**

A4VG	A4VG 2nd pump ¹⁾		
1st pump	NG056	NG071	NG090
NG056	509.9	–	–
NG071	552.4	594.9	–
NG090	552.4	594.9	594.9



By using combination pumps, it is possible to have independent circuits without the need for splitter gearboxes.

When ordering combination pumps the type designations for the 1st and the 2nd pump must be linked by a "+".

Order example:

A4VG090ETB0P/35MRNC6T1-20GC6S7AS400-0 + A4VG071ETB0P/35MRNC6S720G0000AS400-0

A tandem pump, with two pumps of equal size, is permissible without additional supports, assuming that the dynamic mass acceleration does not exceed maximum 10 g (= 98.1 m/s²).

From size 71, the 4-hole mounting flange must be used for mounting the 1st pump.

For combination pumps consisting of more than two pumps, the mounting flange must be rated for the permissible moment of inertia, please contact us.

Notice

- ▶ The combination pump type code is shown in shortened form in the order confirmation.
- ▶ The permissible through-drive torques are to be observed (see page 9).

¹⁾ 2nd pump without through drive

High-pressure relief valves

The two high-pressure relief valves protect the hydrostatic gear (pump and motor) from overloading. They limit the maximum pressure in the respective high-pressure line and serve simultaneously as boost valves.

The high-pressure relief valves are exclusively intended to protect the system from high-pressure peaks until the control dynamics of the pressure cut-off ensure the intended maximum working pressure.

An electronic pressure cut-off must be provided for permanent high-pressure limitation.

The hydrostatic gear must be designed in such a way that a longer response of the high-pressure relief valves (> 0.3 sec.) is prevented. The volume of 70 l/min must not be exceeded during the valve phase.

Setting ranges

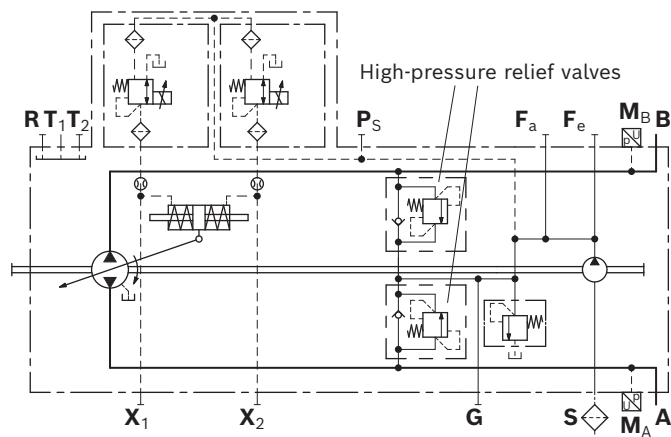
High-pressure relief valve, direct operated	Differential pressure setting Δp_{HD}
setting	320 bar
	400 bar
	420 bar
	440 bar
	470 bar
	500 bar

Settings on high-pressure relief valve A and B

Differential pressure setting	$\Delta p_{HD} = \dots$ bar
Test pressure of the HD valve (at q_{V1})	$p_{max} = \dots$ bar ($p_{max} = \Delta p_{HD} + p_{Sp}$)

The valve settings are set to be size-independent at a theoretical flow of approx. 70 l/min at $V_{g \max}$ (q_{V1}). There may be deviations with other operating parameters.

▼ Circuit diagram

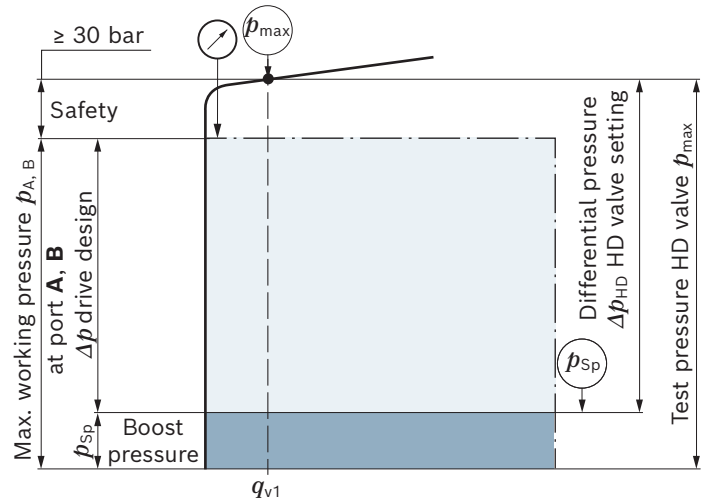


Example: Δp drive design = 470 bar ($p_{A, B} - p_{Sp}$)

Max. working pressure $p_{A, B}$	-	Boost pressure p_{Sp}	+	Safety	=	Differential pressure Δp_{HD}
495 bar	-	25 bar	+	30 bar	=	500 bar

- ▶ Test pressure of the HD valve (at q_{V1}):
 $p_{max} = 525$ bar ($p_{max} = \Delta p_{HD} + p_{Sp}$)

▼ Setting diagram



Key

HD valve	High-pressure relief valve
Test pressure HD valve p_{max}	The factory-set pressure value set at q_{V1} .
Differential pressure HD valve Δp_{HD}	Test pressure HD valve (absolute) minus the boost pressure setting
Maximum working pressure $p_{A, B}$	The overall design of the hydrostatic drive is based on the maximum working pressure $p_{A, B}$. It comprises the boost pressure setting and the Δp drive design.
Δp drive design	Differential pressure value determining the available torque at the hydraulic motor ($p_{A, B} - p_{Sp}$).
Boost pressure p_{Sp}	Boost pressure setting of the boost-pressure relief valve
Safety	Required distance between maximum working pressure (and/or pressure cut-off) and set pressure of the high-pressure relief valve to prevent constant response of the high-pressure relief valves at maximum working pressure.

Notice

Upon response of the high-pressure relief valve, the permissible temperature and viscosity must be complied with.

Option: Bypass function

A connection between the two high-pressure passages **A** and **B** can be established using the bypass function (e.g. for machine towing).

► **Towing speed**

The maximum towing speed depends on the gear ratio in the vehicle and must be calculated by the vehicle manufacturer. The corresponding flow of $q_v = 30$ l/min may not be exceeded.

► **Towing distance**

Only tow the vehicle out of the immediate danger zone. For further information on the bypass function, see the instruction manual.

Notice

The bypass function is not illustrated in the circuit diagrams.

Filtration in the boost pump suction line

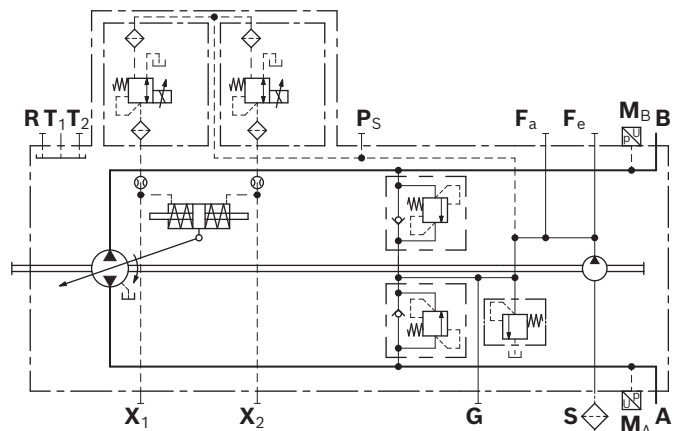
Version S

Filter version	Suction filter
Recommendation	With contamination indicator, with bypass
Recommended flow resistance at filter element	
At $v = 30 \text{ mm}^2/\text{s}$, $n = n_{\text{max}}$	$\Delta p \leq 0.1 \text{ bar}$
At $v = 1000 \text{ mm}^2/\text{s}$, $n = n_{\text{max}}$	$\Delta p \leq 0.3 \text{ bar}$
Pressure at suction port S	
Continuous $p_{S \text{ min}}$ ($v \leq 30 \text{ mm}^2/\text{s}$)	$\geq 0.8 \text{ bar absolute}$
Short-term, at a cold start ($t < 3 \text{ min}$)	$\geq 0.5 \text{ bar absolute}$
Maximum pressure $p_{S \text{ max}}$	$\leq 5 \text{ bar absolute}$

Use of version S is preferred.

The suction filter is not included in the scope of delivery.

▼ Circuit diagram



Filtration in the boost pump pressure line

Version D

Ports for external boost circuit filtration

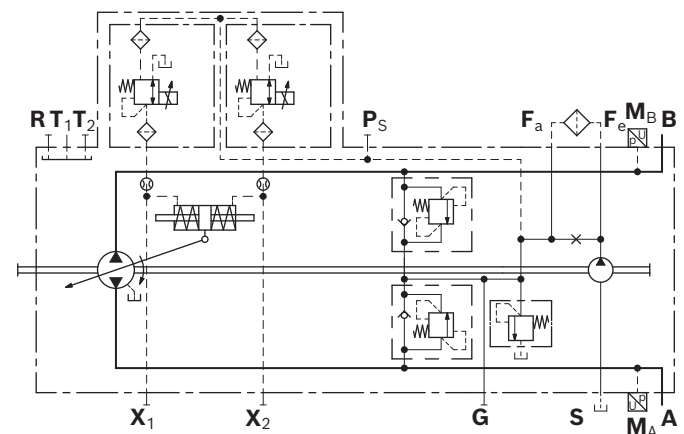
Ports	
Boost pressure inlet	Port F_a
Boost pressure output	Port F_e
Filter version	Boost pressure filter
Recommendation	With contamination indicator, with cold start valve
Filter arrangement	Separate in the pressure line (inline filter)

The boost pressure filter is not included in the scope of delivery.

Notice

- Filters with a bypass are **not recommended**. Please contact us for applications with a bypass.
- The pressure drop at the filter is viscosity- and contamination-dependent. Note the maximum permissible pressure of the boost pump in combination with the set feed pressure.

▼ Circuit diagram



External boost pressure supply

Version E

This variant should be used in versions without integrated boost pump (**U**).

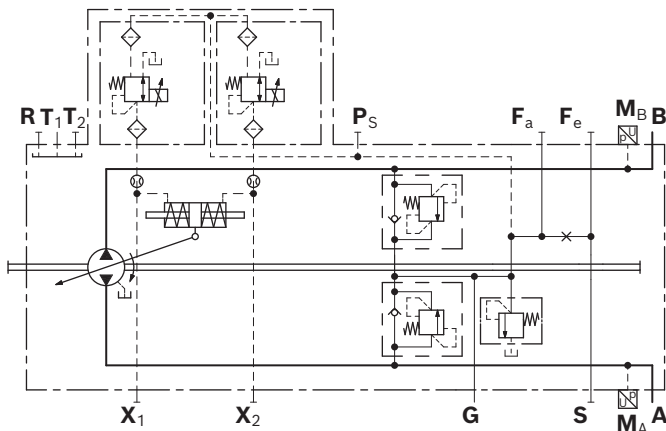
Port **S** is plugged.

The boost pressure supply comes from port **G**.

The filter should be installed separately on port **G** before the boost pressure supply.

To ensure functional reliability, maintain the required cleanliness level for the boost pressure fluid fed in at port **G** (see page 5).

▼ Circuit diagram



Boost-pressure relief valve

The boost-pressure relief valve is used to limit the boost pressure level. It limits the boost pressure depending on the case pressure.

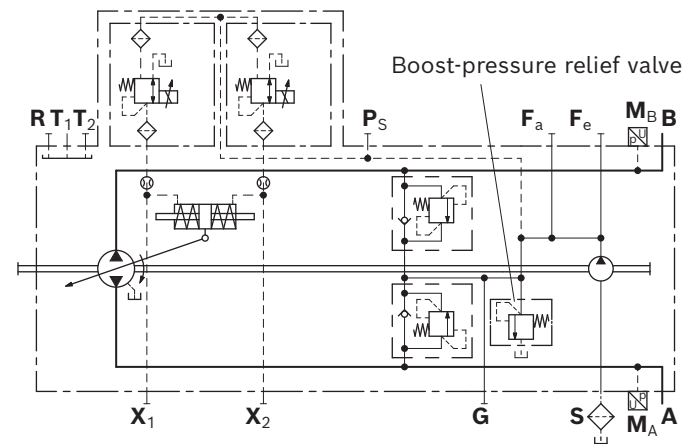
Setting range

Boost-pressure relief valve	Differential pressure setting p_{St} ($p_{Sp} = \Delta p_{Sp} + p_{\tau}$)
Standard value	25 bar
Optional values	27 bar 30 bar

The valve settings are performed at $n = 2000$ rpm.

There may be deviations in the set pressures with other operating parameters.

▼ Circuit diagram



Connector for the pressure reducing valve

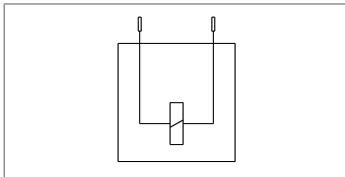
DEUTSCH DT04-2P-EP04

Molded, 2-pin

The following type of protection ensues with the installed mating connector:

- ▶ IP6K5 (ISO 20653)
- ▶ IP6K7 (ISO 20653) and
- ▶ IP6K9K (ISO 20653)

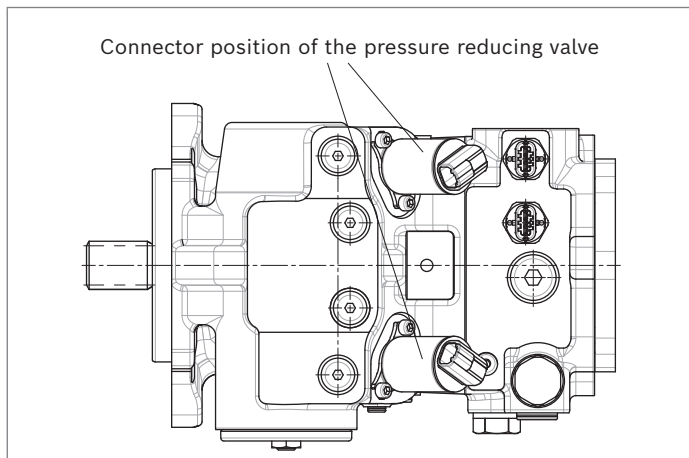
▼ Switching symbol



▼ Mating connector DEUTSCH DT06-2S-EP04

Consisting of	DT designation
1 housing	DT06-2S-EP04
1 wedge	W2S
2 sockets	0462-201-16141

The mating connector is not included in the scope of delivery. This can be supplied by Bosch Rexroth on request (material number R902601804).



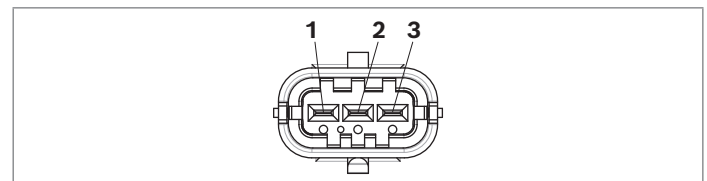
Pressure sensor

The pressure on the working ports **A** and **B** can be recorded using the mounted PR4 pressure sensors in **M_A** and **M_B**. Type code, technical data, dimensions and safety instructions about the sensor can be found in the relevant data sheet 95156.

▼ Permissible variants

Pressure sensor PR4	
Measuring range	0 ... 600 bar
Mechanical connection	M14 × 1.5 according to ISO 6149-2
Electrical connection	Bosch Compact
Output signal	SENT according to SAE J2716 JAN 2010 Option: 0.5 ... 4.5 V ratiometric (at 5±0 V supply voltage)

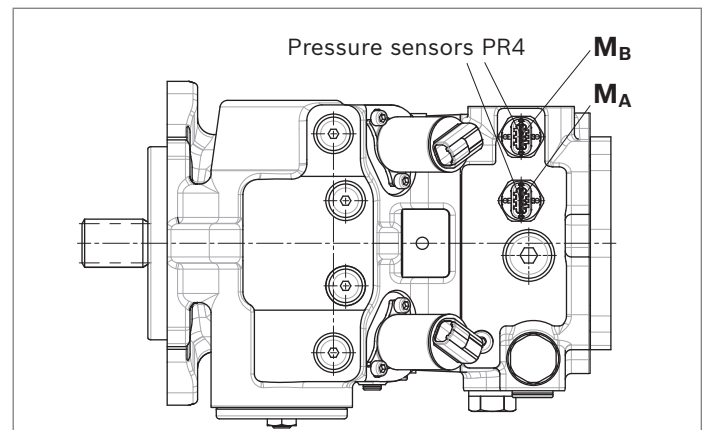
▼ Pin assignment



PIN	Connection
1	Ground GND
2	Sensor signal
3	Supply voltage U_s

Notice

- ▶ Only the variants of the pressure sensor PR4 listed in the above-mentioned table are approved for A4VG series 35.
- ▶ On delivery, the position of the pressure sensor connector position differs from that shown in the drawing.



Swivel angle sensor

The swivel angle sensor PAL is used to detect the swivel angle of axial piston units and thus the displacement using a Hall-effect based sensor IC. The measured position is converted into electric signals by the redundant swivel angle sensor.

Type code, technical data, dimensions and safety instructions about the sensor can be found in the relevant data sheet 95161.

▼ Permissible PAL variants

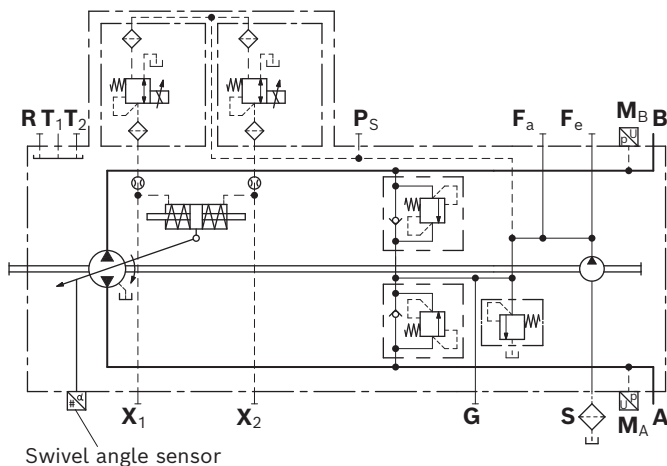
Output signal	Type
Analog ratiometric/PWM	PAL 2 012L012 CM/10F
SENT/SENT	PAL 2 012L012 SM/10F

Characteristics			
Supply voltage U_{supply}	5±0.25 VDC		
Output signal 1	U_{min} ($V_{g\ max}$)	U_{mid} ($V_{g\ 0}$)	U_{max} ($V_{g\ max}$)
Output signal 2	PWM _{min}	PWM _{mid}	PWM _{max}
Reverse polarity protection	±14/±18V		
EMC resistance	Details on request		
Operating temperature range	-40 °C to +125 °C		
Housing material	Polyphenylene sulfide (PPS)		

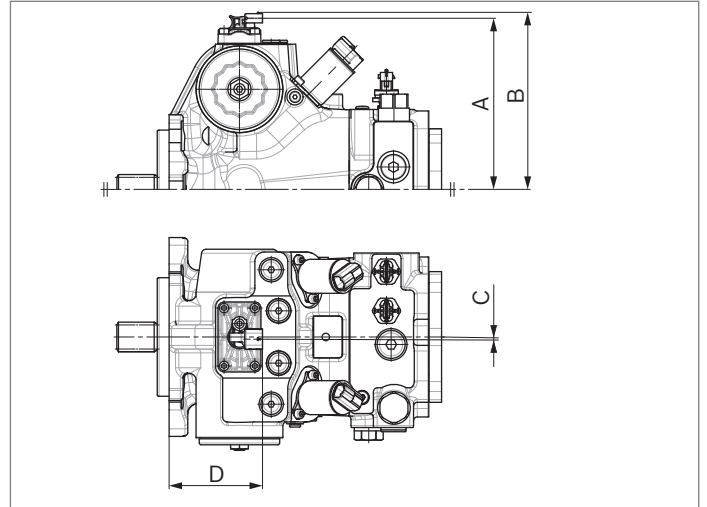
Notice

Please contact us for further information on the application of the PAL swivel angle sensor.

▼ SENT/SENT circuit diagram

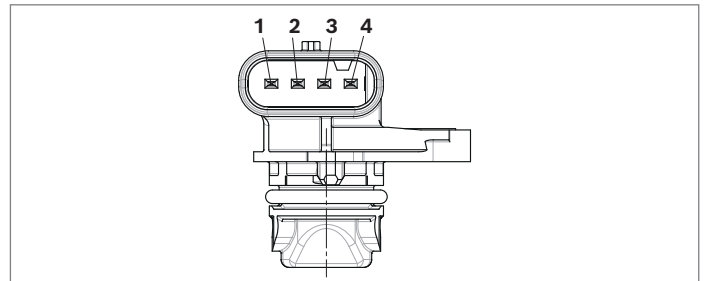


Dimensions



NG	A	B	C	D
56	159.8	166.2	2.3	68.7
71	183.3	189.7	2.3	100.1
90	183.3	189.7	2.3	100.1

▼ Pin assignment



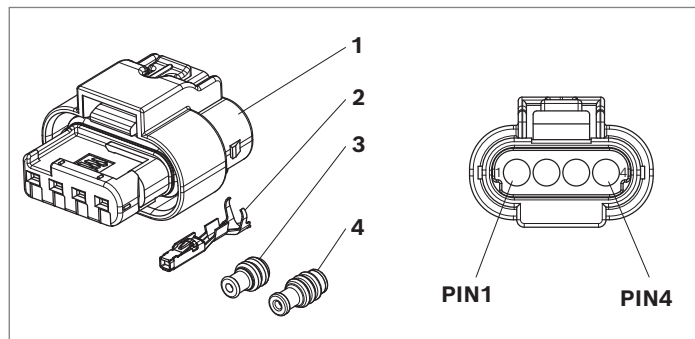
▼ Pin assignment analog ratiometric/PWM PAL 2 012L012 CM/10F

PIN	Connection
1	Sensor signal 2 PWM
2	Supply voltage U_{supply}
3	Ground GND
4	Sensor signal 1 Analog ratiometric

▼ Pin assignment SENT/SENT PAL 2 012L012 SM/10F

PIN	Connection
1	Sensor signal 2 SENT
2	Supply voltage U_{supply}
3	Ground GND
4	Sensor signal 1 SENT

Mating connector



Notice

- ▶ For the assembly, the tools prescribed by the connector manufacturer - MCON unpinning tool/unlocking tool and crimping pliers - are to be used (see TYCO Electronics drawing 1534326).
To process the connector, refer to the user manual of the manufacturer TYCO Electronics (408-828).
- ▶ For possible mating connector alternatives, see data sheet 95161

▼ Mating connector set (material number: R917012863)

Item	Designation	Quantity	Order number	Manufacturer	Comment
1	4POS, MCON 1.2 CB REC 2p TL SEALED ¹⁾	1	1-1456426-5	TYCO Electronics	
2	MCON 1.2 CB REC SWS SN	4	1670146-1	TYCO Electronics	For cable cross-section (AWG): 20 or 0.5 mm ² and 0.75 mm ²
3	Single wire seal, rubber, red	4	2098582-1	TYCO Electronics	Accepted cable insulation diameter range: 1.35 ... 1.9 mm
4	Plug, blue	2	967056-1	TYCO Electronics	If the NTC thermistor is not connected, use blind plugs

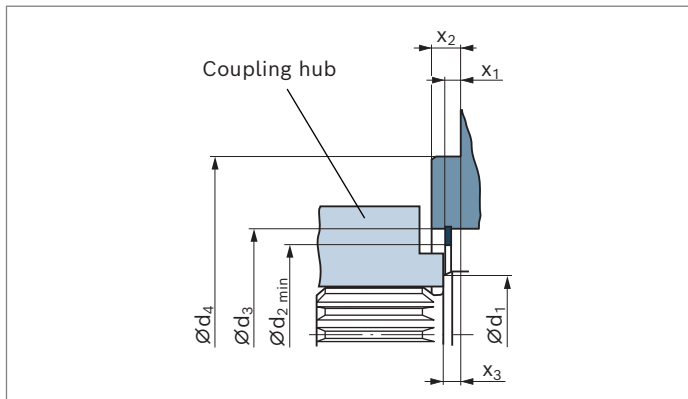
Installation dimensions for coupling assembly

To ensure that rotating components (coupling hub) and fixed components (housing, retaining ring) do not come into contact with each other, the installation conditions described here must be observed. This depends on the pump size and the splined shaft.

SAE splined shaft (spline according to ANSI B92.1a)

Splined shaft **S7, V8** or **T1**

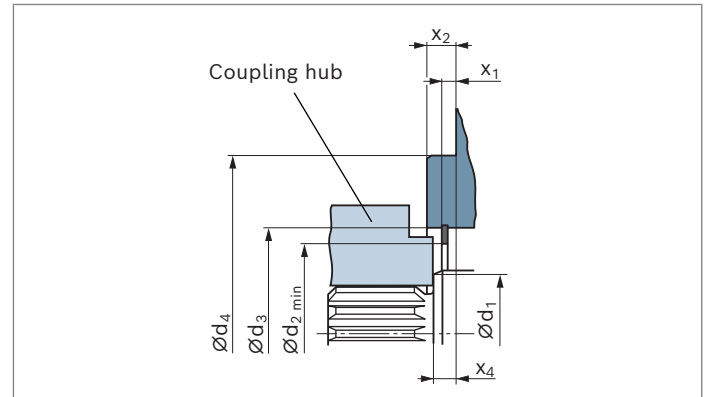
The outer diameter of the coupling hub must be smaller than the inner diameter of the retaining ring (dimension d_2) in the area near the drive shaft collar (dimension $x_2 - x_3$).



DIN splined shaft (spline according to DIN 5480)

Splined shaft **Z8**

The outer diameter of the coupling hub must be smaller than the case diameter d_3 in the area near the drive shaft collar (dimension $x_2 - x_4$).



NG	$\varnothing d_1$ SAE splined shaft	$\varnothing d_1$ DIN splined shaft	$\varnothing d_{2 \min}$	$\varnothing d_3$	$\varnothing d_4$	x_1	x_2	x_3	x_4
56	38.5	37.1	54.4	68±0.1	127 $\begin{matrix} 0 \\ -0.063 \end{matrix}$	7.0+0.2	12.7-0.5	8 +0.9 -0.6	10 +0.9 -0.6
71	43.5	42.1	66.5	81±0.1	127 $\begin{matrix} 0 \\ -0.063 \end{matrix}$	7.0+0.2	12.7-0.5	8 +0.9 -0.6	10 +0.9 -0.6
90	48.5	47.1	66.5	81±0.1	127 $\begin{matrix} 0 \\ -0.063 \end{matrix}$	6.8+0.2	12.7-0.5	8 +0.9 -0.6	10 +0.9 -0.6

Installation instructions

General

The axial piston unit must be filled with hydraulic fluid and air bled during commissioning and operation. This must also be observed following a longer standstill as the axial piston unit may empty via the hydraulic lines.

The leakage in the housing area must be directed to the reservoir via the highest drain port (**T₁**, **T₂**).

For combination pumps, the leakage must be drained off at each single pump.

If a shared drain line is used for several units, make sure that the respective case pressure in each unit is not exceeded.

The shared drain line must be dimensioned to ensure that the maximum permissible case pressure of all connected units is not exceeded in any operating condition, particularly at cold start. If this is not possible, separate drain line has to be installed.

To prevent the transmission of structure-borne noise, use elastic elements to decouple all connecting lines from all vibration-capable components (e.g., reservoir, frame parts). Under all operating conditions, the suction line and drain line must flow into the reservoir below the minimum fluid level. The permissible suction height h_S results from the total pressure loss; it must not, however, be higher than $h_{S \max} = 800 \text{ mm}$.

The suction pressure at port **S** must also not fall below the minimum value of 0.8 bar absolute during operation (cold start 0.5 bar absolute).

When designing the reservoir, ensure that there is adequate distance between the suction line and the drain line.

We recommend using a baffle (baffle plate) between suction line and drain line. A baffle improves the air separation ability as it gives the hydraulic fluid more time for desorption. Apart from that, this prevents the heated return flow from being drawn directly back into the suction line.

The suction port must be supplied with air-free, calmed and cooled hydraulic fluid.

Installation position

See the following examples 1 to 8.

Further installation positions are available upon request.

Recommended installation position: 1 and 2.

Notice

- ▶ For optimum function and dynamics of the axial piston unit, a complete filling of the two stroking chambers **X₁** and **X₂** with hydraulic fluid is required. By swiveling the swashplate several times during commissioning, this can usually be ensured. In case of unfavorable installation positions, air bleeding of the stroking chambers may take some time, so we recommend filling the stroking chambers via ports **X₁** and **X₂** before installation (e.g. for installation position 4 and 8).
- ▶ In certain installation positions, an influence on the adjustment or control can be expected. Gravity, dead weight and case pressure can cause minor characteristic shifts and changes in response time.

Key

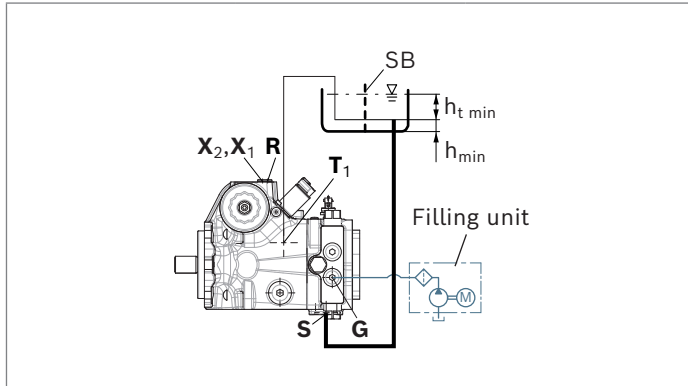
R	Air bleed port
S	Suction port
T₁, T₂	Drain port
X₁, X₂	Control pressure port
G	Boost pressure port inlet
SB	Baffle (baffle plate)
$h_{t \min}$	Minimum required immersion depth (200 mm)
h_{\min}	Minimum required distance to reservoir bottom (100 mm)
$h_{S \max}$	Maximum permissible suction height (800 mm)

Below-reservoir installation (standard)

Below-reservoir installation means that the axial piston unit is installed outside of the reservoir below the minimum fluid level.

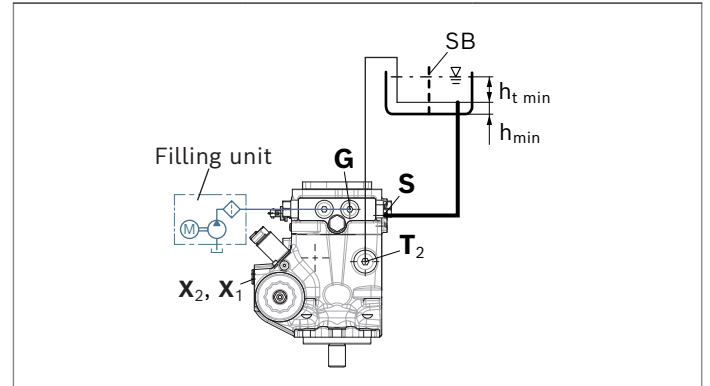
▼ Installation position 1

Air bleeding the housing	Air bleeding the stroking chamber	Filling
T ₁ , R	X ₁ , X ₂	G ¹⁾ , S, T ₁ , X ₁ , X ₂



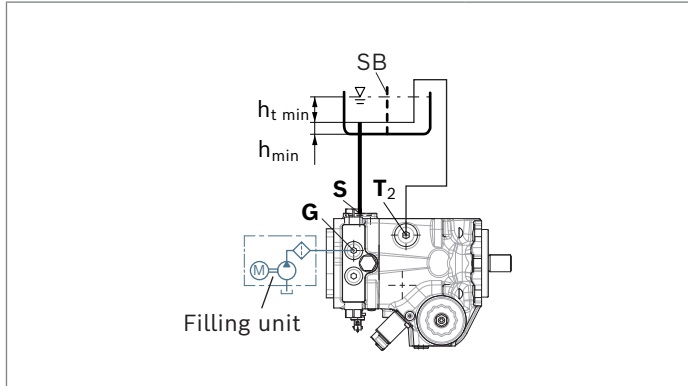
▼ Installation position 3

Air bleeding the housing	Air bleeding the stroking chamber	Filling
T ₂	X ₁ , X ₂	G ¹⁾ , S, T ₂ , X ₁ , X ₂



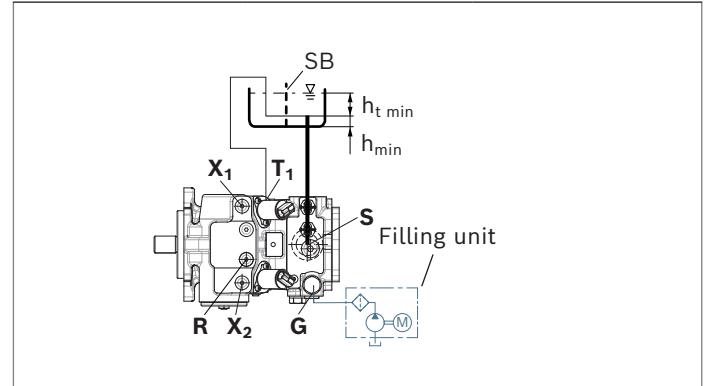
▼ Installation position 2

Air bleeding the housing	Air bleeding the stroking chamber	Filling
T ₂	-	G ¹⁾ , S, T ₂



▼ Installation position 4²⁾

Air bleeding the housing	Air bleeding the stroking chamber	Filling
T ₁	X ₁	G ¹⁾ , S, T ₁ , X ₁



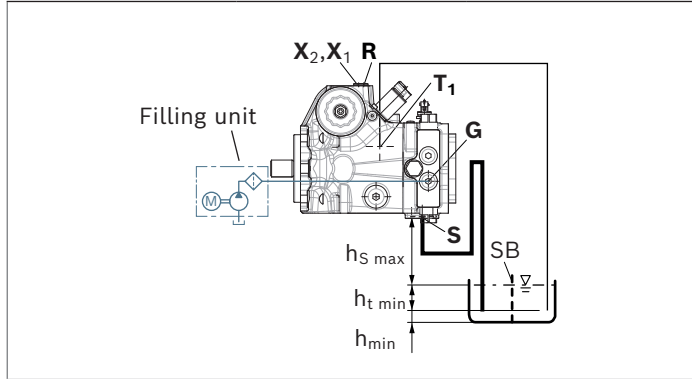
- 1) Recommendation: Filling with filter/filling unit.
When filling without filter/filling unit, the pump must be filled at the highest drain port.
- 2) Installation position with port X₂ top, only permissible upon request.

Above-reservoir installation

Above-reservoir installation means that the axial piston unit is installed above the minimum fluid level of the reservoir. Observe the maximum permissible suction height $h_{S \max} = 800 \text{ mm}$.

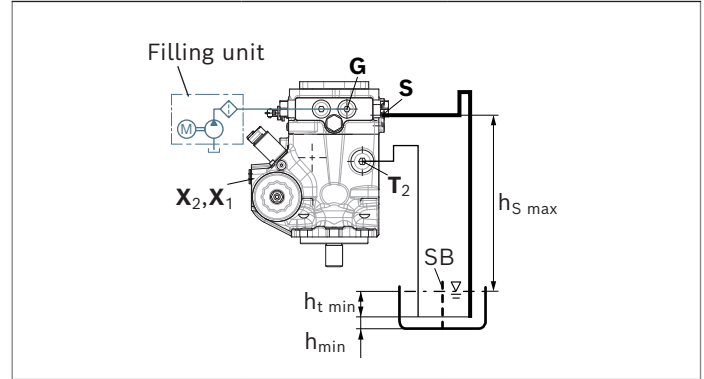
▼ **Installation position 5**

Air bleeding the housing	Air bleeding the stroking chamber	Filling
R	X ₁ , X ₂	G ¹⁾ , S, T ₁ , X ₁ , X ₂



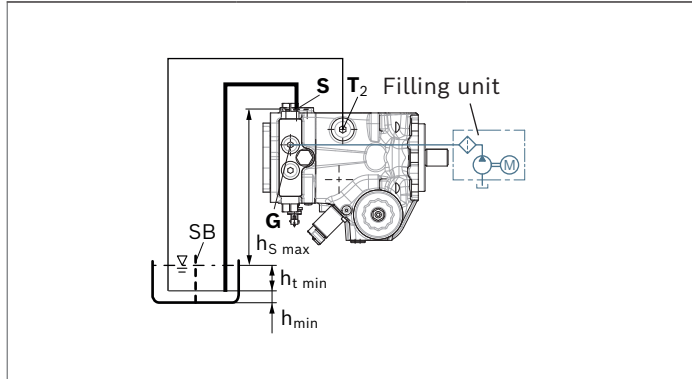
▼ **Installation position 7**

Air bleeding the housing	Air bleeding the stroking chamber	Filling
T ₂	X ₁ , X ₂	G ¹⁾ , S, T ₂ , X ₁ , X ₂



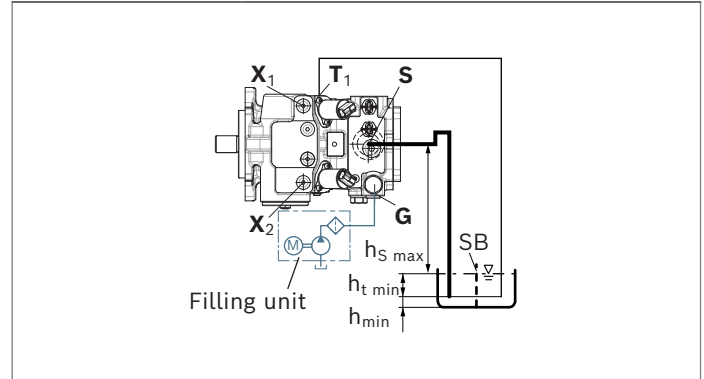
▼ **Installation position 6**

Air bleeding the housing	Air bleeding the stroking chamber	Filling
T ₂	-	G ¹⁾ , S, T ₂



▼ **Installation position 8²⁾**

Air bleeding the housing	Air bleeding the stroking chamber	Filling
T ₁	X ₁	G ¹⁾ , S, T ₁ , X ₁



1) Recommendation: Filling with filter/filling unit.
When filling without filter/filling unit, the pump must be filled at the highest drain port.
2) Installation position with port X₂ top, only permissible upon request.

Project planning notes

- ▶ The pump is intended for use in a closed circuit.
- ▶ The project planning, installation and commissioning of the axial piston unit requires the involvement of skilled personnel.
- ▶ Before using the axial piston unit, please read the corresponding instruction manual completely and thoroughly. If necessary, this can be requested from Bosch Rexroth.
- ▶ Before finalizing your design, please request a binding installation drawing.
- ▶ The specified data and notes contained herein must be observed.
- ▶ Depending on the operating conditions of the axial piston unit (working pressure, fluid temperature), the characteristic curve may shift.
- ▶ Preservation: Our axial piston units are supplied as standard with preservation protection for a maximum of 12 months. If longer preservation protection is required (maximum 24 months), please specify this in plain text when placing your order. The preservation periods apply under optimal storage conditions, details of which can be found in the data sheet 90312 or the instruction manual.
- ▶ Not all configuration variants of the product are approved for use in safety functions according to ISO 13849. Please consult the responsible contact person at Bosch Rexroth if you require reliability parameters (e.g. $MTTF_D$) for functional safety.
- ▶ Depending on the type of control used, electromagnetic effects can be produced when using solenoids. Applying a direct voltage signal (DC) to solenoids does not create electromagnetic interference (EMI) nor is the solenoid affected by EMI. Electromagnetic interference (EMI) potential exists when operating and controlling a solenoid with a modulated direct voltage signal (e.g. PWM signal). Appropriate testing and measures should be taken by the machine manufacturer to ensure other components or operators (e.g. with pacemaker) are not affected by this potential.
- ▶ Pressure cut-off (hydraulic or electronic) is not a sufficient safeguard against pressure overload. Therefore, a pressure relief valve must be added to the hydraulic system (integrated into the pump or externally in the system). Observe the technical limits of the pressure relief valves here.
- ▶ With dynamic power flow (switch of pumps to operation as a motor) a maximum of 95% $V_{g\ max}$ is permissible. We recommend configuring the software accordingly.
- ▶ Please note that a hydraulic system is an oscillating system. This can lead, for example, to the stimulation the natural frequency within the hydraulic system during operation at constant rotational speed over a long period of time. The excitation frequency of the pump is 9 times the rotational speed frequency. This can be prevented, for example, with suitably designed hydraulic lines.
- ▶ Please note the details regarding the tightening torques of port threads and other threaded joints in the instruction manual.
- ▶ The ports and fastening threads are designed for the p_{max} permissible pressures of the respective ports, see the connection tables. The machine or system manufacturer must ensure that the connecting elements and lines correspond to the specified application conditions (pressure, flow, hydraulic fluid, temperature) with the necessary safety factors.
- ▶ The service ports and function ports are only designed to accommodate hydraulic lines.

Safety instructions

- ▶ During and shortly after operation, there is a risk of burns on the axial piston unit and especially on the solenoids. Take the appropriate safety measures (e.g. by wearing protective clothing).
- ▶ Moving parts in control equipment (e.g. valve spools) can, under certain circumstances, get stuck in position as a result of contamination (e.g. contaminated hydraulic fluid, abrasion, or residual dirt from components). As a result, the hydraulic fluid flow and the build-up of torque in the axial piston unit can no longer respond correctly to the operator's specifications. Even the use of various filter elements (external or internal flow filtration) will not rule out a fault but merely reduce the risk. The machine/system manufacturer must test whether remedial measures are needed on the machine for the application concerned in order to bring the driven consumer into a safe position (e.g., safe stop) and ensure any measures are properly implemented.

Bosch Rexroth AG
Glockeraustraße 2
89275 Elchingen
Germany
Phone +49 7308 82-0
info.ma@boschrexroth.de
www.boschrexroth.com

© Bosch Rexroth AG 2020. All rights reserved, also regarding any disposal, exploitation, reproduction, editing, distribution, as well as in the event of applications for industrial property rights. The data specified within only serve to describe the product. As our products are constantly being further developed, no statements concerning a certain condition or suitability for a certain application can be derived from our information. The information given does not release the user from the obligation of own judgment and verification. It must be remembered that our products are subject to a natural process of wear and aging.