



UNIVERSAL JOINT DRIVE TRAIN COMPONENTS SPLINED YOKES AND COMPANION FLANGES



WARNING Contact with spinning driveshafts can result in serious injury. Safety guards should be fitted to protect personnel from contact with rotating shafts, or to contain the shaft in the event of failure.

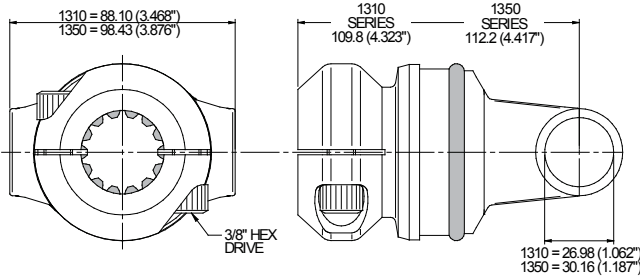
SPLINED CLAMPLOCK TYPE YOKES

Specially developed for positive connection of driveline to splined hydraulic pump shafts.

WIDE APPLICATION RANGE. CLAMPLOCK yokes are available to fit SAE or metric hydraulic pumps or motor spline types found on mobile equipment.

PREVENTS FRETTING OR FLOGGING. The double bolt split clamp design locks solid on to splines giving long trouble free life. HIGH STRENGTH FOR LONG LIFE. CLAMPLOCK yokes are manufactured from steel to a high degree of precision, accuracy and strength.

CLAMPLOCK YOKES



SERIES 1310 CLAMPLOCK YOKES

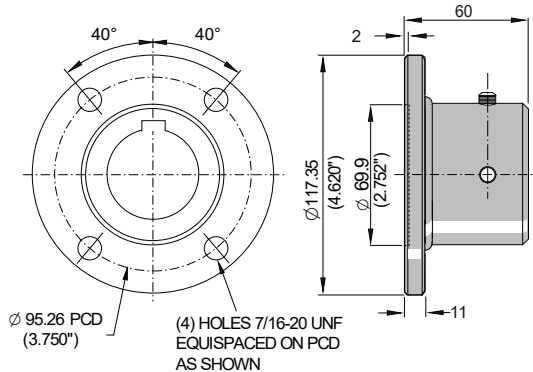
| Spline OD | No. of teeth | DP/MOD | Part No. |
|-----------|--------------|-------------|--------------|
| 7/8" | 13 | 16/32 | 84/02/13103 |
| 1" | 15 | 16/32 | 84/02/13104 |
| 1" | 6 | 6B STRAIGHT | 84/02/13105 |
| 30mm | 14 | 2 | 84/02/13110 |
| 1 1/4" | 14 | 12/24 | 84/02/13106 |
| 32 X 36 | 8 | STRAIGHT | 84/02/131115 |
| 1 3/8" | 21 | 16/32 | 84/02/13107 |
| 35mm | 16 | 2 | 84/02/13111 |
| 1 1/2" | 17 | 12/24 | 84/02/13132 |
| 1 1/2" | 23 | 16/32 | 84/02/13143 |

SERIES 1350 CLAMPLOCK YOKES

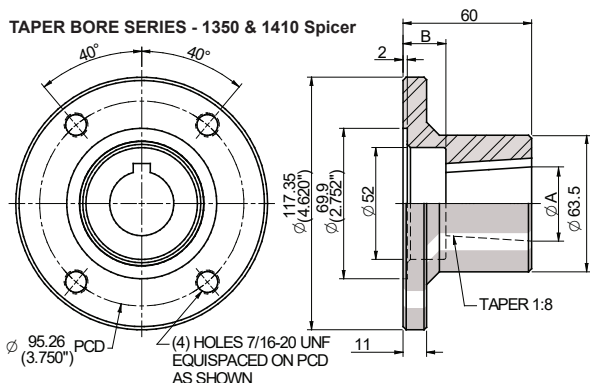
| Spline OD | No. of teeth | DP/MOD | Part No. |
|-----------|--------------|-------------|-------------|
| 1 1/4" | 14 | 12/24 | 84/02/13506 |
| 1 3/8" | 6 | 6B Straight | 84/02/13533 |
| 1 3/8" | 21 | 16/32 | 84/02/13507 |
| 35mm | 16 | 2 | 84/02/13511 |
| 1 1/2" | 17 | 12/24 | 84/02/13532 |
| 1 1/2" | 23 | 16/32 | 84/02/13543 |
| 1 3/4" | 13 | 8/16 | 84/02/13508 |

ROUND AND TAPER BORE KEYED SHAFT COMPANION FLANGES

ROUND BORE SERIES - 1350 & 1410 Spicer



TAPER BORE SERIES - 1350 & 1410 Spicer



All steel construction featuring keyway and 2 set screws for round bore types. Types shown are standard stock lines for 1310, 1350 and 1410 drivelines. Four hole companion flange fits Spicer type flange yokes (refer to matching yoke table on next page). We can produce special sizes to order if quantities are sufficient for production requirements.

| Bore | Keyway | Hub OD | Part No. |
|------------|--------|--------|------------|
| 0.5" pilot | - | 63.5 | 84/F390067 |
| 1.000" | 0.250" | 63.5 | 84/F390015 |
| 1.250" | 0.312" | 63.5 | 84/F390024 |
| 1.500" | 0.375" | 63.5 | 84/F390060 |
| 1.750" | 0.437" | 69.5 | 84/F390061 |

| "A" Bore | Keyway | B | Part No. |
|----------|--------|----|------------|
| 1.250" | 0.312" | 22 | 84/F390180 |
| 1.375" | 0.312" | 20 | 84/F390187 |
| 1.500" | 0.375" | 10 | 84/F390140 |

To Suit Spicer flanges 1260- 2-2-479, 1310- 2-2-479, 1350- 3-2-119 and 1410- 3-2-159.



UNIVERSAL JOINT DRIVE TRAIN COMPONENTS SPLINED YOKES AND COMPANION FLANGES

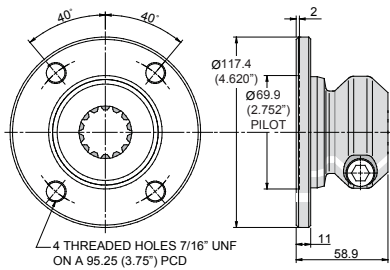
SPLINED CLAMPLOCK TYPE UNIVERSAL JOINT COMPANION FLANGES



Four hole companion flanges fit Spicer type flange yokes (refer to matching yoke table at bottom of page).

Positive locking and positioning of drivelines to splined shafts on hydraulic pumps for 1350, 1410, 1480 and 1550 driveline PTO drives on mobile equipment such as Concrete Transit Mixers, Cranes, Harvesters, Dump Trucks, Tractors etc.

May be manufactured to fit other flange yokes if required. Available to suit most common hydraulic pumps. Also available with agricultural splines.



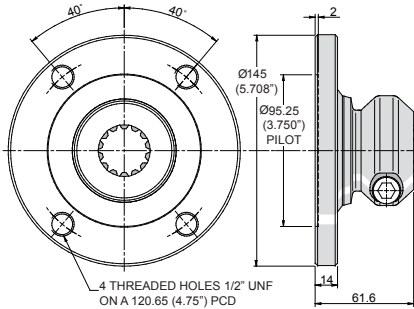
CLC & CLD SERIES - 1350 & 1410 Spicer*

| Nom Spline OD | No Of Teeth | DP/ MOD | Part No. |
|---------------|-------------|-------------|-------------|
| 7/8" | 13 | 16/32 | 84/F3CLB03 |
| 1" | 15 | 16/32 | 84/F3CLC04 |
| 1" | 6 | 6B Straight | 84/F3CLC05 |
| 1 1/4" | 14 | 12/24 | 84/F3CLC06 |
| 1 3/8" | 21 | 16/32 | 84/F3CLC07 |
| 1 3/8" | 6 | 6B Straight | 84/F3CLC33 |
| 32x36 | 8 | 8T Straight | 84/F3CLC115 |
| 1 1/2" | 17 | 12/24 | 84/F3CLC32 |
| 1 1/2" | 23 | 16/32 | 84/F3CLC43 |
| 1 1/2" | 14 | 10/20 | 84/F3CLD36 |
| 1 3/4" | 13 | 8/16 | 84/F3CLD08 |
| 1 3/4" | 20 | 12/24 | 84/F3CLD113 |
| 1 3/4" | 27 | 16/32 | 84/F3CLD09 |
| 40 mm | 18 | 2 | 84/F3CLD41 |
| 45 mm | 21 | 2 | 84/F3CLD42 |

*To Suit Spicer flanges

1260 - 2.2.479, 1310 - 2.2.479, 1350 - 3.2.119 and 1410 - 3.2.159.

CLC & CLD SERIES - 1410, 1480 & 1550 Spicer*



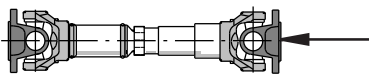
| Nom Spline OD | No Of Teeth | DP/ MOD | Part No. |
|---------------|-------------|---------|-------------|
| 1 1/4" | 14 | 12/24 | 84/F5CLC06 |
| 1 3/8" | 21 | 16/32 | 84/F5CLC07 |
| 1 1/2" | 14 | 10/20 | 84/F5CLD36 |
| 1 1/2" | 17 | 12/24 | 84/F5CLC32 |
| 1 3/4" | 13 | 8/16 | 84/F5CLD08 |
| 1 3/4" | 20 | 12/24 | 84/F5CLD113 |
| 1 3/4" | 27 | 16/32 | 84/F5CLD09 |
| 40 mm | 18 | 2 | 84/F5CLD41 |
| 45 mm | 21 | 2 | 84/F5CLD42 |

*To Suit Spicer flanges 1410- 3.2.429, 1480 - 3.2.479 and 1550 - 4.2.669.

FOR BORE CODE DESCRIPTIONS

[REFER PAGE 46 & 47](#)

MATCHING YOKES



| Spicer Series | Spicer Flange Yoke Number | Clamplock Companion Flange Series |
|---------------|---------------------------|-----------------------------------|
| 1260 | 2-2-479 | 84/F3 |
| 1310 | 2-2-479 | 84/F3 |
| 1350 | 3-2-119 | 84/F3 |
| 1410 | 3-2-159 | 84/F3 |
| 1410 | 3-2-429 | 84/F5 |
| 1480 | 3-2-479 | 84/F5 |
| 1550 | 4-2-669 | 84/F5 |

Matching yokes listed here are included as a guide only. These are not in our product range. To purchase the matching yokes contact your driveline supplier.

Flanged adaptors to suit other Spicer sizes may be available. Contact our sales office.

SPLINED YOKES & COMPANION FLANGES