

Pilot Operated Relief Valve

RB Series

Features and Handling

- RB series are Balanced Piston type relief valves with three pressure ranges available. The valves come with optional Vent port and Gauge port. The valves can be controlled by Solenoid Operated Directional Control valve with optional cover setting for mounting the Solenoid Operated Directional Control valve on top.

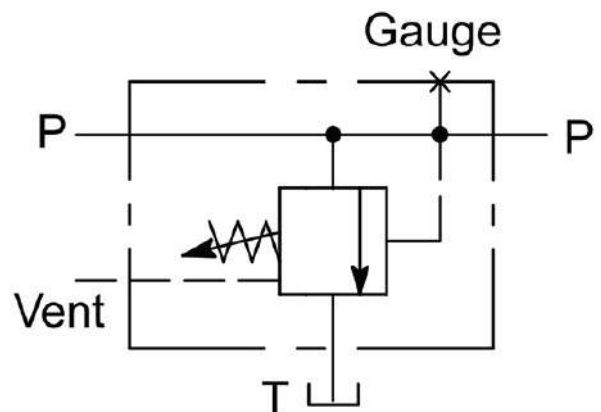
- To adjust the set pressure, loosen the lock nut of the valve and turn the handle to adjust the pressure. Maintain the back pressure at the tank port as low as possible, less than 2 bar (28 psi).



Specification

Model	Maximum Flow L/min (USgpm)	Maximum Pressure bar (psi)	Weight kg (lb)
RB-G03	30 (8)	240 (3500)	4.30 (9.5)
RBE-G03			4.40 (9.7)
RB-T04	80 (21)		2.40 (5.3)
RB-T06	175 (46)		4.30 (9.5)
RB-G06			7.20 (15.8)
RBE-T06			4.40 (9.7)
RBE-G06			7.20 (15.8)
RB-T10	454 (120)		6.70 (14.7)
RBE-T10			8.40 (18.50)

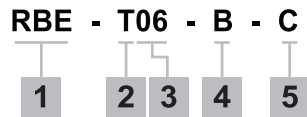
Symbols



Pilot Operated Relief Valve

RB Series

Ordering Code



1. Model Series

- RB - Standard Cover
- RBE - Cover for mounting CETOP 3 or NG6 Solenoid Valve (size 06 and size 10 only)

2. Mounting

- T - Threaded connections
- G - Gasket mounting (size 03 and size 06 only)

3. Valve Size

- 03 - 3/8"
- 04 - 1/2"
- 06 - 3/4"
- 10 - 1-1/4"

4. Threaded Size (Threaded connections only)

RB-T04

Code	Thread size
P	1/2" BSPT
B	1/2" BSP

RB-T06 or RBE-T06

Code	Thread size
N	3/4" NPT
B	3/4" BSP
S	SAE #12

RB-T10 or RBE-T10

Code	Thread size
N	1-1/4" NPT
B	1-1/4" BSP
S	SAE #20

5. Pressure Range

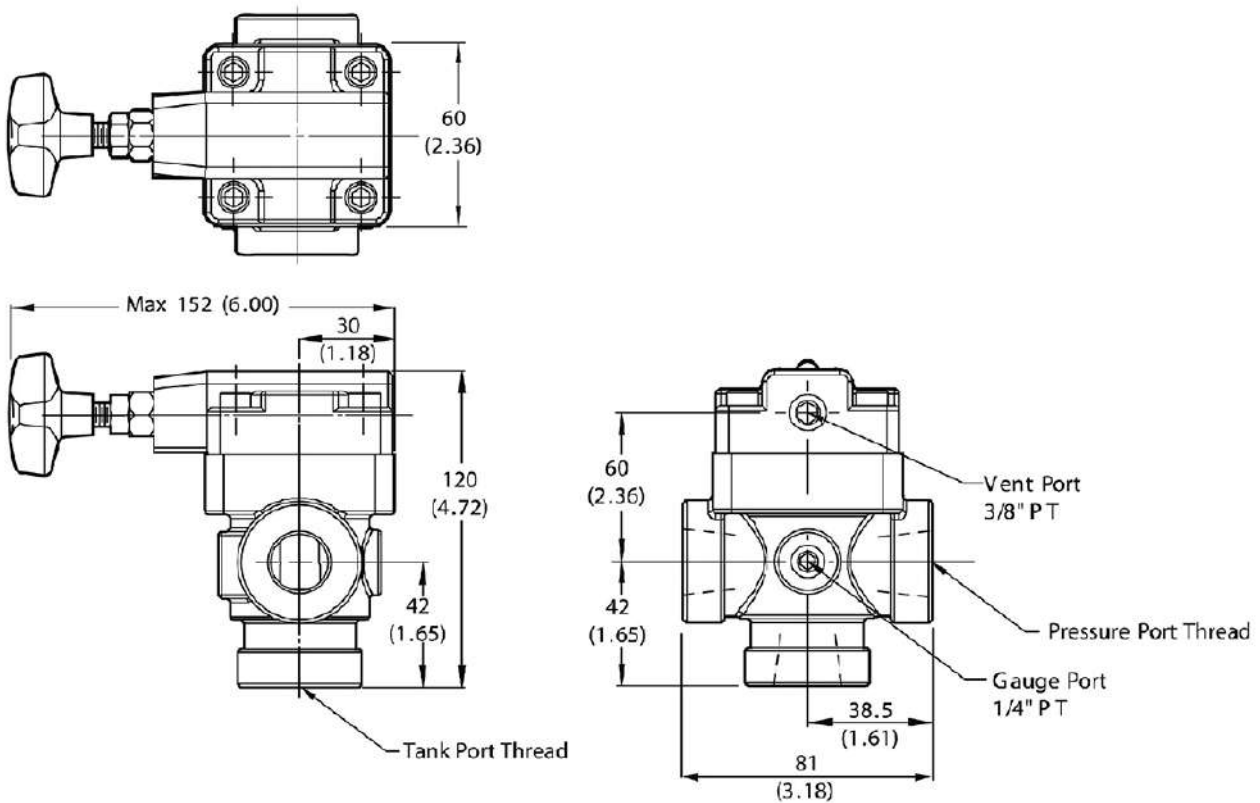
- A - 7-70 bar (100-1000 psi)
- B - 35-140 bar (500-2000 psi)
- C - 70-240 bar (1000-3500 psi)

Pilot Operated Relief Valve

RB Series

Installation Dimension mm (inch)

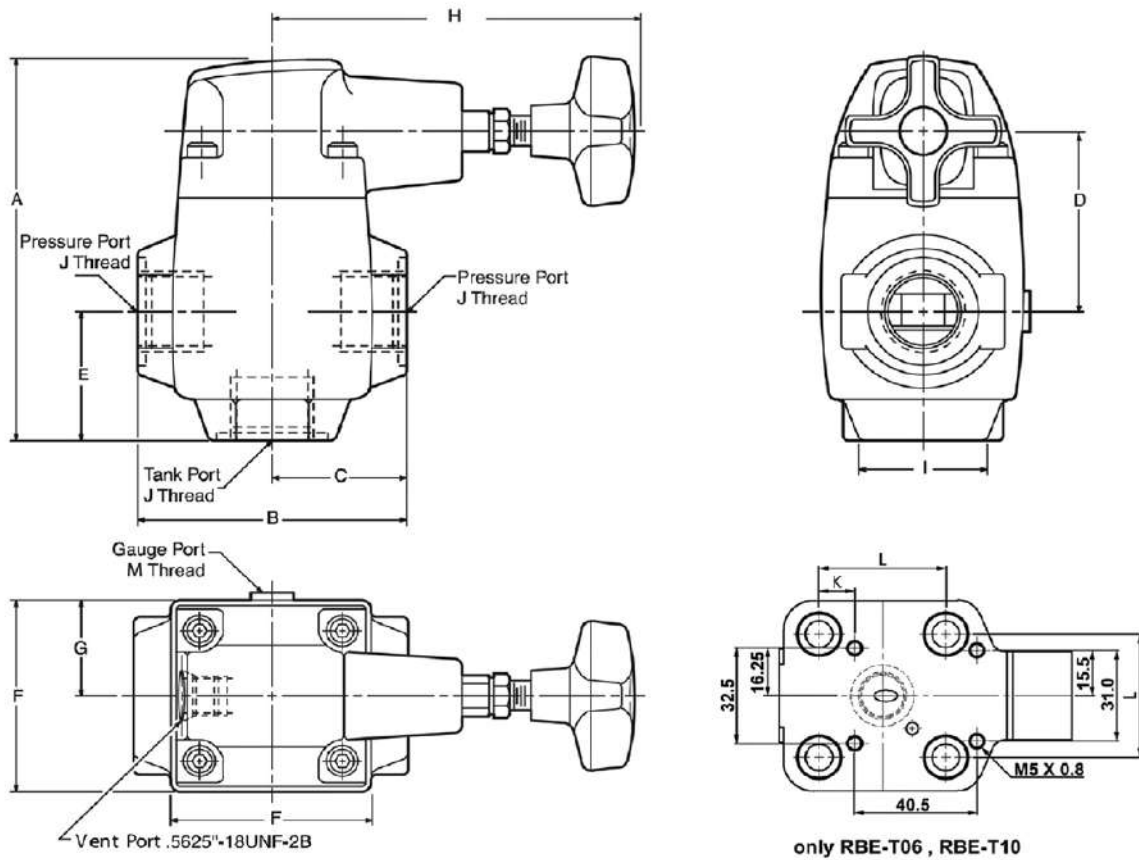
RB-T04



Pilot Operated Relief Valve RB Series

Installation Dimension mm (inch)

RB-T06, RBE-T06, RB-T10, RBE-T10

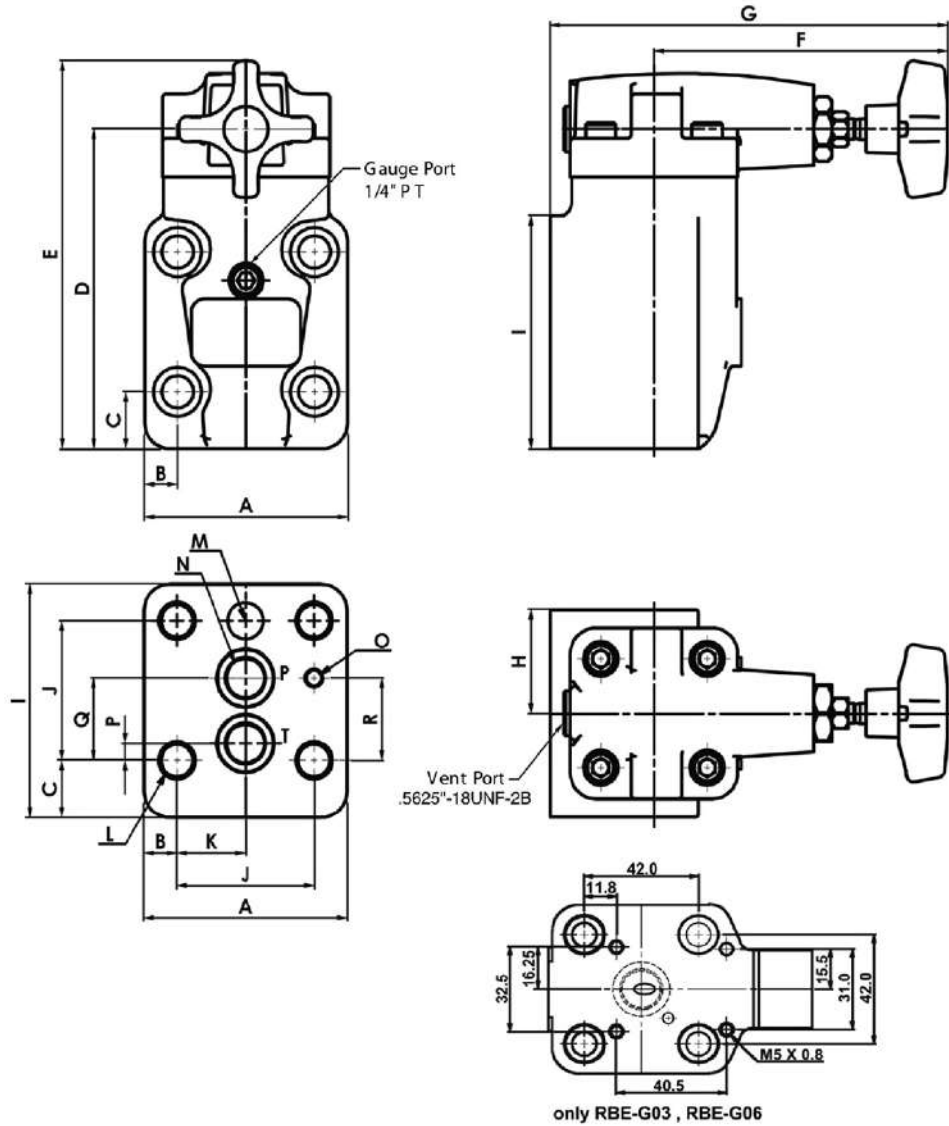


Model	Dimension mm (inch)												
	A	B	C	D	E	F	G	H	I	J	K	L	M
RB-T06 RBE-T06	128.8	92.5	46.3	63.0	45.5	73.0	36.5	134.0	57.0	3/4" NPT 3/4" BSP 1.0625" - 12UN-2B	11.8	42.0	1/4"PT
RB-T010 RBE-T010	157.2	124.0	61.9	66.5	61.9	83.3	41.7	134.0	61.9	1-1/4" NPT 1-1/4" BSP 1.0625" - 12UN-2B	6.75	54.0	.4375"-20UNF-2B

Pilot Operated Relief Valve RB Series

Installation Dimension mm (inch)

RB-G03, RBE-G03, RB-G06, RBE-G06



Model	Dimension mm (inch)																	
	A	B	C	D	E	F	G	H	I	J	K	L	M	N	O	P	Q	R
RB-G03 RBE-G03	80.0	13.0	23.0	123.5	150.0	134.0	175.0	40.0	90.0	54.0	27.0	∅ 12.5	∅ 1.8	∅ 16.0	∅ 6.0	6.6	31.8	31.8
RB-G06 RBE-G06	103.0	16.5	17.6	148.5	175.0	134.0	175.0	51.5	113.5	66.7	33.35	∅ 17.0	∅ 3.0	∅ 24.0	∅ 6.3	11.2	49.2	23.9