

Flow Control Valve

CF Series

Features and Handling

• CF Series are flow control valves with check valve. The valves control the flow in one direction and allow free flow in the other direction. With two step control range, the first three turns of the knob can control fine adjustment of low flow and the next three turns can open the valve of full flow. The knob comes with numeric indicator.



Specification

Model	Maximum Flow L/min (USgpm)	Maximum Pressure bar (psi)	Weight kg (lb)
CF-T02	19 (5)	350 (5070)	0.30 (0.66)
CF-T03	30 (8)		0.40 (0.88)
CF-T04	57(15)		0.70 (1.54)
CF-T06	95 (25)		1.00 (2.20)

Ordering Code

CF - T04

1 2 3

1. Model : CF

2. Mounting

T - Threaded connections

3. Valve size

02 - 1/4"

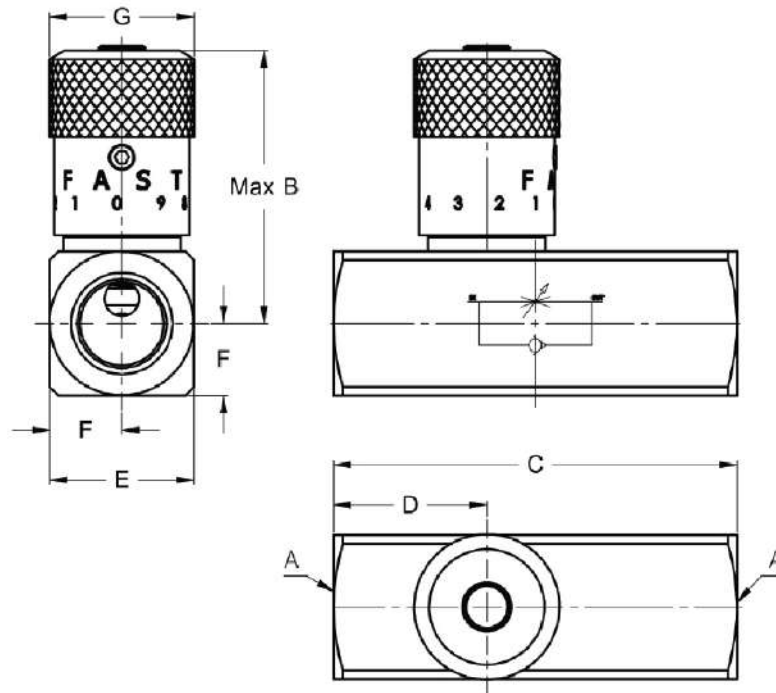
03 - 3/8"

04 - 1/2"

06 - 3/4"

Flow Control Valve CF Series

Installation Dimensions mm (inch)



Model	Dimension mm (inch)						
	A Thread	B	C	D	E	F	G
CF-T02	1/4"NPT	40.4 (1.59)	66.5 (2.62)	26.6 (1.05)	25.4 (1.00)	12.7 (0.50)	20.6 (0.81)
CF-T03	3/8"NPT	55.4 (2.18)	70.0 (2.75)	26.6 (1.05)	25.4 (1.00)	12.7 (0.50)	25.2 (0.99)
CF-T04	1/2"NPT	68.6 (2.70)	87.0 (3.42)	33.0 (1.30)	31.7 (1.25)	15.9 (0.63)	29.8 (1.17)
CF-T06	3/4"NPT	85.9 (3.38)	98.5 (3.88)	37.5 (1.48)	38.1 (1.50)	19.05 (0.75)	34.9 (1.37)

*CF-T08 and CF-T10 are available upon request.