

**Description****Назначение и область применения**

For starting, controlling and stopping the working fluid between the generator of pressured flow, the consumers at the Tank. Предназначен для изменения направления потока, ограничения давления рабочей жидкости гидролиниях, разгрузки насоса в нейтральной позиции золотников.

Specifications**Основные показатели:**

1. Valve monoblock	моноблок
Конструктивное выполнение	3 bolts M10
2. Mounting	
Крепление	internal thread
3. Pressure connections	внутренние резьбы
Присоединительные отверстия	-40C...+60C
4. Ambient temperature	
Температура воздуха	mineral oil based hydraulic oil
5. Pressure medium	
Рабочая жидкость	12...800 mm ² /s permissible range
6. Viskosity	20...100 mm ² /s recommended range
Кинематическая вязкость	- 15C...+80C
7. Fluid temperature	Oil contamination 10 to NAS1638
8. Filtration	P = 250 bar
9. Max. operating pressure	T = 50 bar
Давление max. bar	A, B = 300 bar
10. Leakage	30 cm ³ /min at 120 bar
Внутренние потери (A, B – T)	
11. Nominal flow	120 l/min (see “operating” diagram)
Разход рабочей жидкости	
12. Spool stroke	± 10 mm, L12 = ± 10 mm +6 mm
Ход золотника	
13. Actuating force	< 300 N in spool axis direction

directional control valves P120

Распределители гидравлические P120

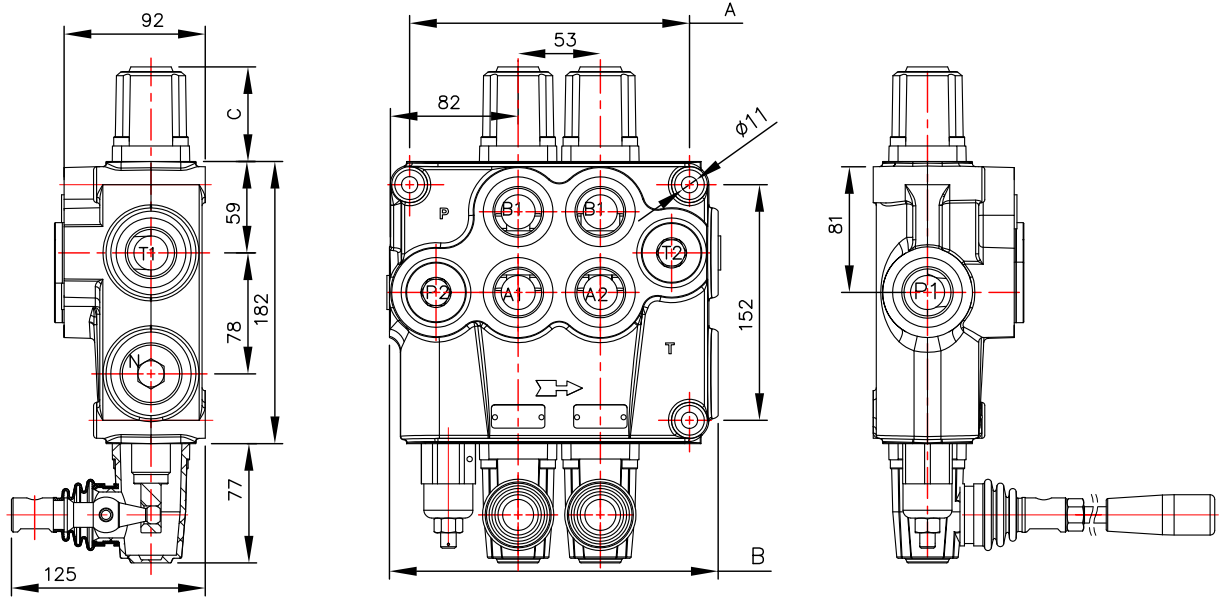


Table 1

	A	B	P1	P2	T1	T2
P120	129	160	+	+	+	+
02P120	182	213	+	+	+	+
03P120	235	266	+	+	+	+
04P120	288	319	+	+	+	+

Table 2

spool control фиксация золотника	C
1; 2, 3, 4; 5; 6; 7; 8; 9; 10; 11;	64
12	74

02 P120 1 A 1 A 1 G KZ1 H E C2 11 ...

number of spools (table 3)

hydraulic directional control valve P120

parallel distribution (table 4) (parallel)

spool type—distribution (table 5)

spool control (table 6)

second spool distribution (table 5)

second spool control (table 6)

ports threads (table 9)

lever options (table 10)

operation features (table 8)

electric microswitch (table 7)

carry over center (table 11)

connection ports in use (table 12)

there is something else

directional control valves P120

Распределители гидравлические P120

Table 3

code	Number of spools
P120	1
02P120	2

Table 4

code	way of distribution
	распределение потока
1	parallel ; параллельное

Table 5

code	spool type
A	
B	
C	
D	
E	
F	
G	
H	
M	
N	
O	
P	
Q	
R	
S	
T	

Table 6

code	spool control
1	
2	
3	
4	
5	
6	
7	
8	
9	
10	
11	

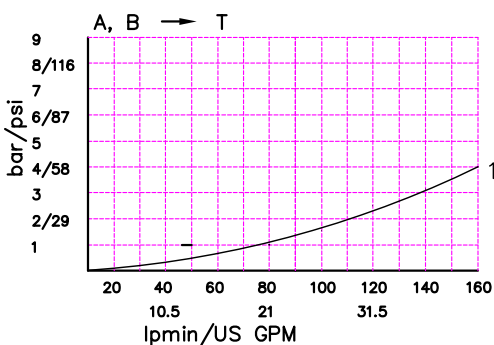
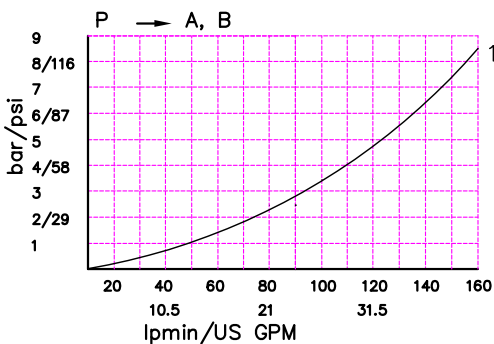
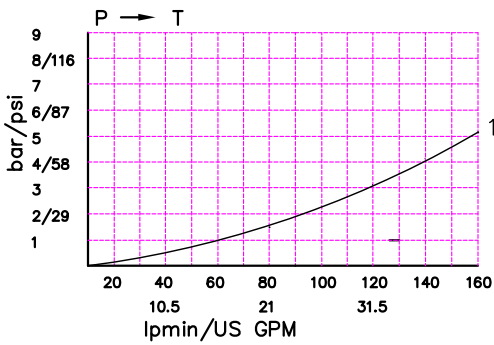
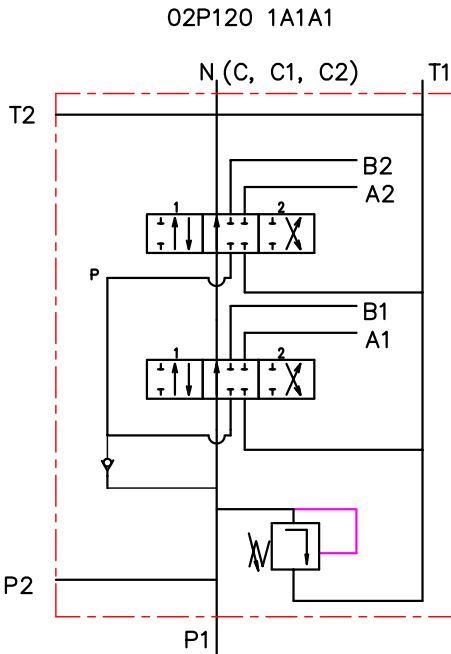


Table 7

code	с микро шалтер ; incorporated microswitch	
E		mikroswitch type Omron-V 165 I C5

Table 8

code	другое управление ; operation feature	
P		пневматическое on-off pneumatic control; 5-10 bar ; ports NPTF 1/8-27
H		гидравлическое on-off hydraulic control ; pn = 5 - 20 bar ; ports G1/4

directional control valves P120

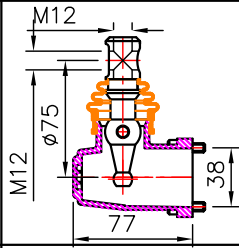
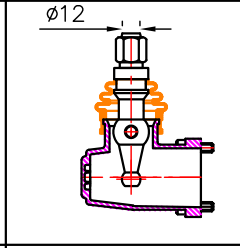
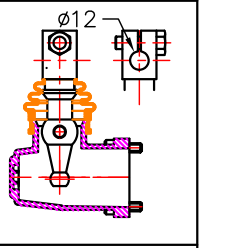
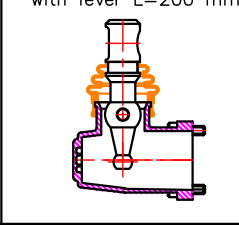
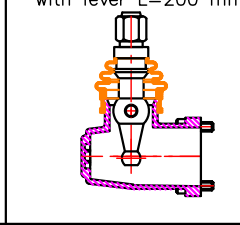
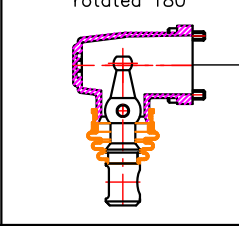
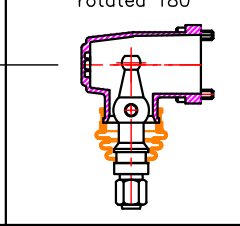
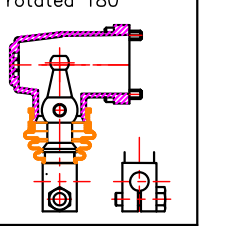
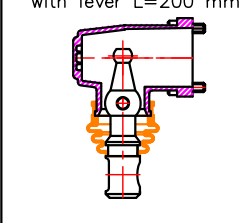
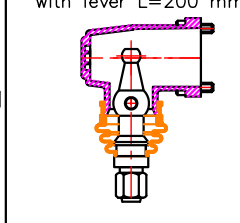
Распределители гидравлические P120

treads for conection

Table 9

outlets/ports/	metric	BSP	SAE	
P, A, B, T	M33x2	G 1"	SAE 16	
N	M36x1.5	–	–	–

Table 10

code	with thread M12	code	with zange $\phi 12$	code	with zange $\phi 12$
KZ		KY		KI	
KZ1	with lever L=200 mm 	KY1	with lever L=200 mm 		
KZ0	rotated 180° 	KY0	rotated 180° 	KI0	rotated 180° 
KZ01	with lever L=200 mm 	KY01	with lever L=200 mm 		

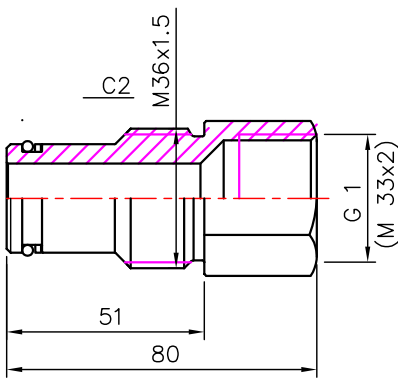
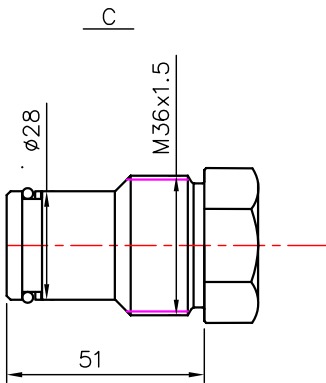
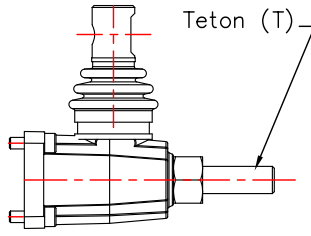


Table 11

code	metric
X	without port N
–	with port N, closed
C	with port N and plug C – closed center
C1	port N – carry over for EO
C2	port N – carry over, internal thread

Table 12

code	ports for connection in uze
11	P1 ; T1
12	P1 ; T2
21	P2 ; T1
21	P2 ; T1